

Note : The pictures in the Product Specification are for reference only, please refer to the actual product.

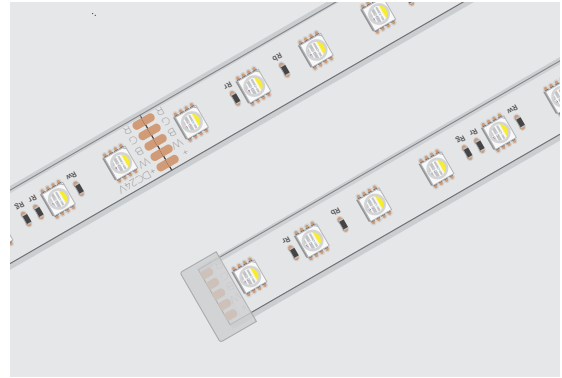
PRODUCT SPECIFICATION

RGBW

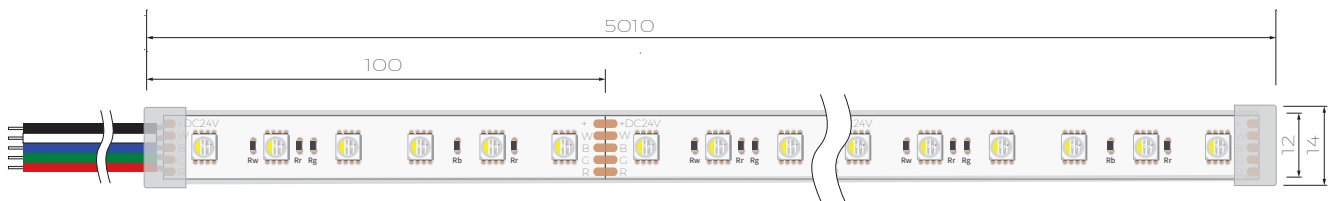
- Sauna LED Strip

Sauna Lighting

It is designed for high-temperature and high humidity environments, like sauna room. IP65, -25°C~100°C working temperature. By long-life LED Lumileds 5050 RGBW, color changing enables the creation of a diverse range of hues, shades, and color combinations.



Dimension structure (Unit: mm)



Technical Data

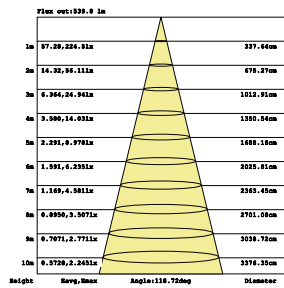
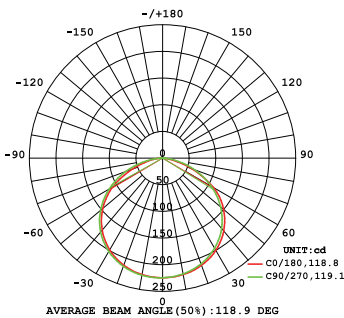
Model No.	ADW-SN5050-60-24V-RGBW
Input voltage	DC24V
RA	>80
Lm/w@4000k	108.3
Beam angle	120°
LED Chips/m	60LEDs
LONG-life LED	50000h
Working temperature	-25°C~+110°C
Storage Temperature	-25°C~+60°C
Cutttable length(mm)	100

Voltage
24v DC

3-5Step
MacAdam

IP
IP 65

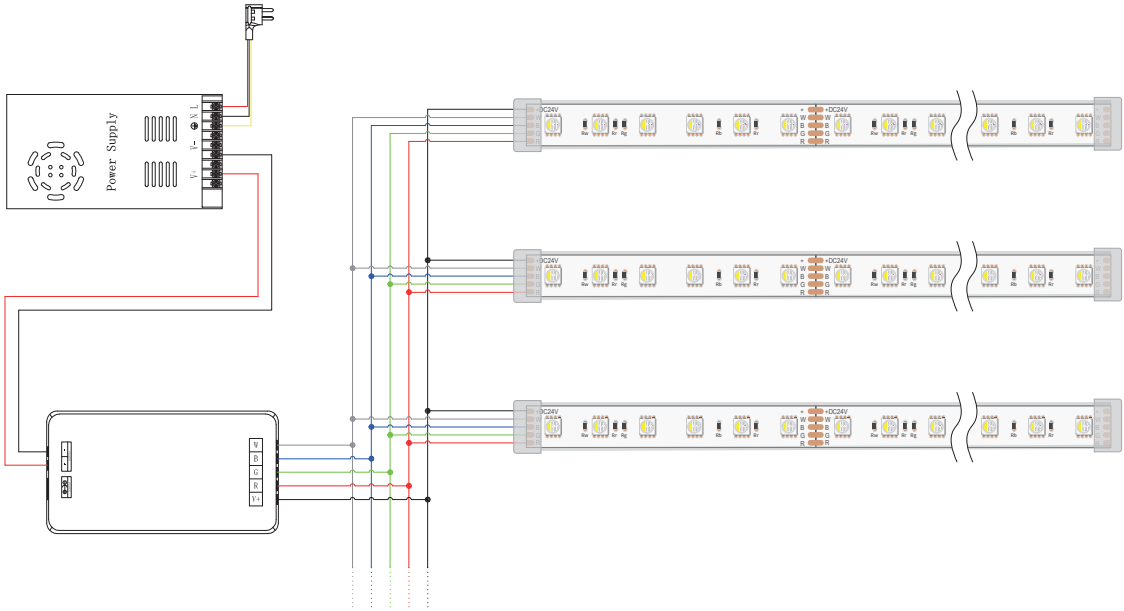
Warranty
3 Years



CCT (K)	Power (W/M)	Lumen (LM/M)	Max.run length(M)	CV/CC
R	2.5	97	5	CV
G	2.5	285	5	CV
B	2.5	56	5	CV
W:4000 (2700-6500 optional)	2.5	271	5	CV
RGBW	10	722	5	CV

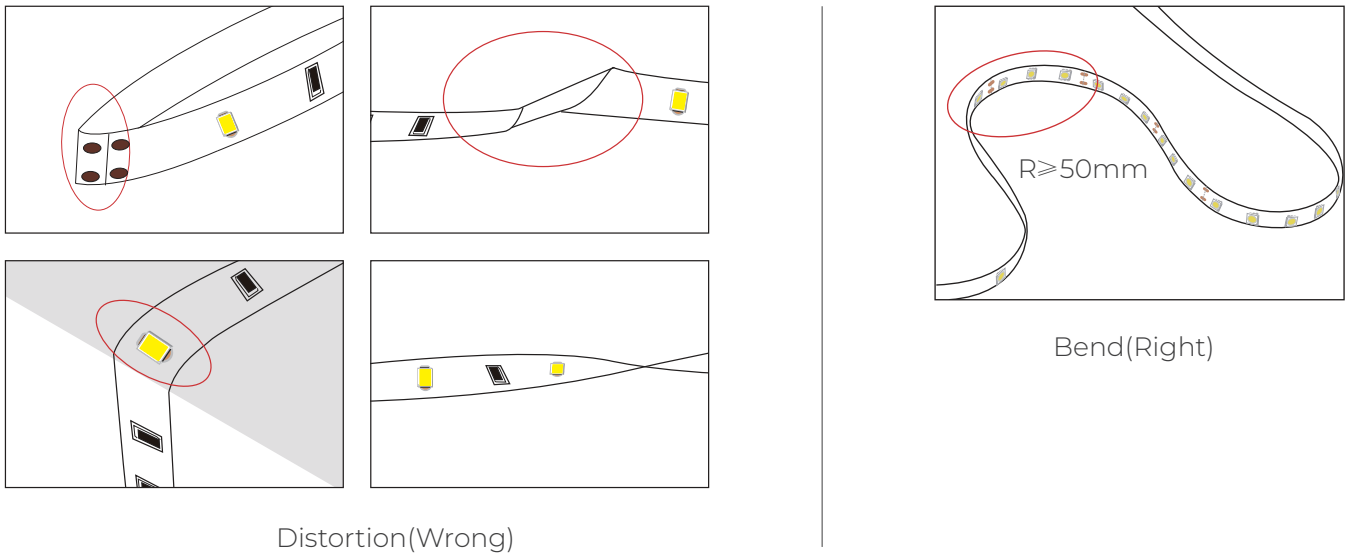
*CV: Constant Voltage, CC: Constant Current.

Wiring Diagram



Cautions

When install the led strip,please note the installation technique.The led strip can be bent,but not distorted,as shown below.



➤ LED strips are low voltage products,you must use the power supply(transformer).Please don,t connect the led strip directly to the AC 110v or AC 220v,otherwise it will burn out the LED strips.

➤ Clean up the installation surface,it will ensure the reliability of the adhesive,The electrical connection process must be operated by a professional person.

Package

