

AiDiWatt

Professional
Manufacturer of LED Downlight

AiDiWatt

AIDIWATT Lighting Co., Ltd.

Address: Building D, Gongming Dianlian Technology Building,
Guangming District, Shenzhen, China.

Telephone: 0086-0755-23227859

E-mail: sales@aidiwatt.com/aidiwattlighting@gmail.com

Web: www.aidiwattlighting.com

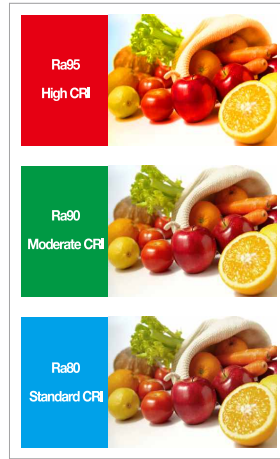


COLOR RENDERING

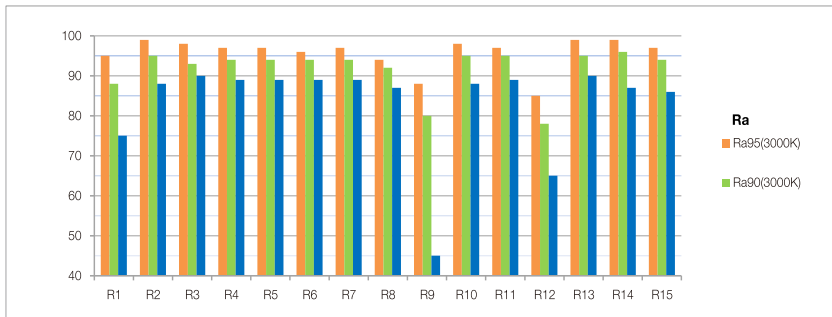
Color rendering, expressed as a rating from 0 to 100 on the Color Rendering Index (CRI), describes how a light source makes the color of an object appear to human eyes and how well subtle variations in color shades are revealed. The higher the CRI rating is, the better its color rendering ability.

Imagine two objects, one red, one blue, which are lighted by a cool light source with a low CRI. The red object appears muted while the blue object appears a rich blue. Now take out the lamp and put in a cool light source with a high CRI. The blue object still appears a rich blue, but the red object appears more like its true color.

Most of CDN products are manufactured with high quality LEDs and color rendering are higher than 90, some ranges are higher than 97.



Ra evaluation index



The spectral components of the light determine how well various object colours can be reproduced. The higher the colour rendering index (Ra or CRI), or the lower the colour rendering group number, the better the colour rendering in comparison with the optimum reference light. The maximum colour rendering index value is 100. Values in excess of 80 are considered to be very good.

R ₁ Light greyish red	R ₅ Light blueish green
R ₂ Dark greyish yellow	R ₆ Light blue
R ₃ Strong yellow green	R ₇ Light violet
R ₄ Moderate yellowish green	R ₈ Light reddish purple
R ₉ Strong red	R ₁₂ Strong blue
R ₁₀ Strong yellow	R ₁₃ Light yellowish pink
R ₁₁ Strong green	R ₁₄ Moderate olive green (leaf)

Eight test colour samples (R1 to R8) are used for the general colour rendering index, and there are another 6 more vivid high-saturation colours (R9 to R14). The general colour rendering index is calculated for a light source relative to a "known" reference light source.

Colour fields can only convey an impression of the original reflection patterns.

COLOR CONSISTENCY

Color temperature is a method of measuring temperature which is used in physics and astronomy. This concept is based on a fictitious black object. When heated to different temperatures, it will emit different colors of light. So color temperature is to define the color of the light.

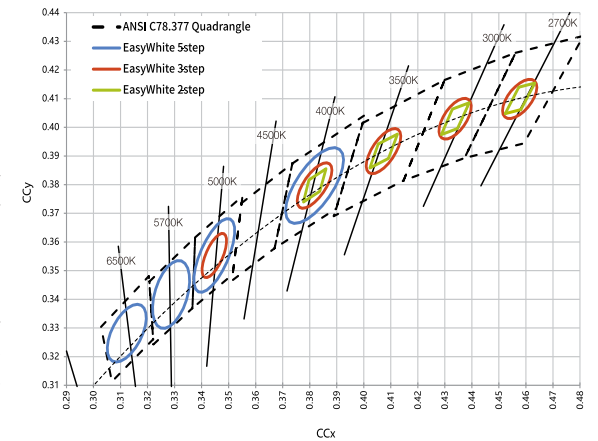
In order to solve the problem of color space perception consistency, experts have carried out nonlinear transformation of light color system and formulated the specification of CIE 1931 XYZ color space.

The incandescent lamp is very close to a blackbody radiator. Other light sources, such as LED light source, can not radiate energy according to the radiation curve of blackbody. Therefore, they are often associated with correlated color temperature (CCT). This is the closest way to find the color temperature of light source and blackbody. According to the position of the sun moving in the sky, we define the position of light color on the CIE gamut map.



Color temperature Consistency

Standard spectrum will change with the color temperature. For one specific LED chipset, if the standard spectrum is different, the SDCM is also different. The general photoelectric analysis system will test the color temperature range of tested LEDs automatically, to get the value of standard color temperature. The unit of color deviation is SDCM. The smaller, the better. CDN knows the color temperature consistency contribute greatly to the quality lighting. Nowadays, the phenomenon of non-consistency, in terms of color temperature in the market, is a headache for designers and the customers. Based on this fact, CDN chooses the LED chips at high consistency of SDCM <3 from the quality LED manufacturers, to meet the requirements from high-end customers and LED chips at SDCM <5 as normal standard for most of our products.



Color Rendering Index (CRI)

A metric used to describe how faithfully a light source can render the true colors of objects and spaces, where natural light sources like the sun have a perfect index of 100. Using lamps with a high CRI value is very important in high-end interior design, as they enhance the visibility of décor and fine details.

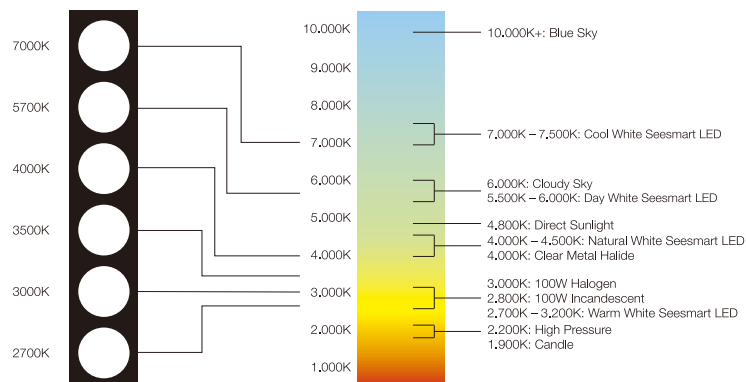


Correlated Color Temperature (CCT)

Color temperature of a light source is the temperature of an ideal black-body radiator (solid object with certain properties heated up to point of incandescence) that radiates light of comparable hue to that of the light source, and its temperature is expressed in Kelvins (K). As a black body gets hotter, wave length of light emits progress through a sequence of colors from red to blue. Sequence of colors is described by curve (Planckian locus) within a CIE 1931 color space.

Basic LED Reference Example

Kelvin Color Temperature Scale Chart



Efficiency

Conversion ratio between lighting power output and electric power input, measuring both quantities in watts. Not to be confused with efficacy, which describes the ratio between lumen output and watts consumed. Since lumens describe lighting output better than watts, efficacy tends to be a much more useful concept in lighting design.

Glare

Visual impairment caused by a bright source of light, directly visible or reflected by a surface. There are two types of glare:

- Discomfort glare causes an instinctive reaction to close the eyes and look away. This is the type of glare felt when exposed to a potent HID light or when the sun is directly visible through a window.
- Disability glare impairs vision, but does not cause the same reaction as discomfort glare. If a light source gets reflected on your laptop screen, for example, it does not bother your eyes but distinguishing objects on the screen may be impossible.

UGR (Unified Glare Rating)

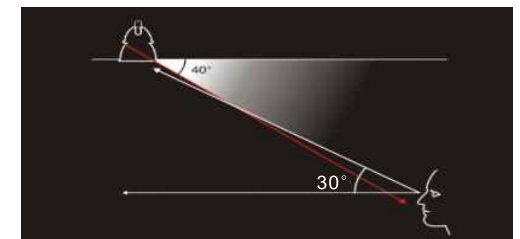
Classifies the discomfort glare caused by an indoor lighting system, taking into account the kind of luminaires, the reflecting features and size of the rooms, the position of the observers. "

UGR	Discomfort Degree
28	Severely Dazzling
25	Dazzling
22	Blinking
19	Uncomfortable
16	Slightly Uncomfortable
13	Perceptible

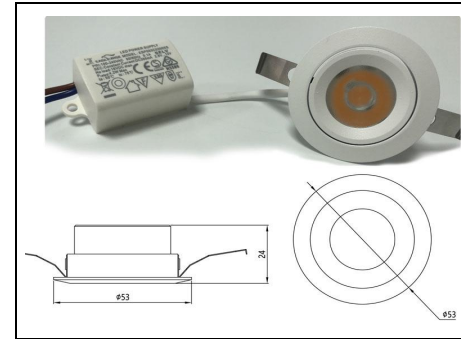


Cutoff Angle

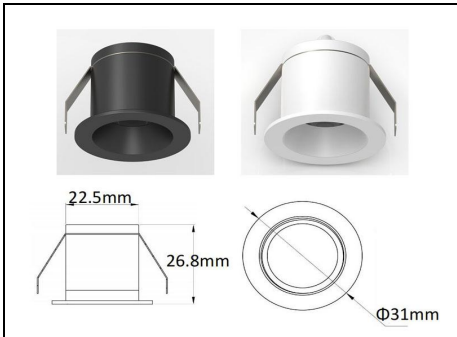
Viewing angle beyond which it is no longer possible to see a light source directly, measured from the direction exactly below the lamp (nadir).



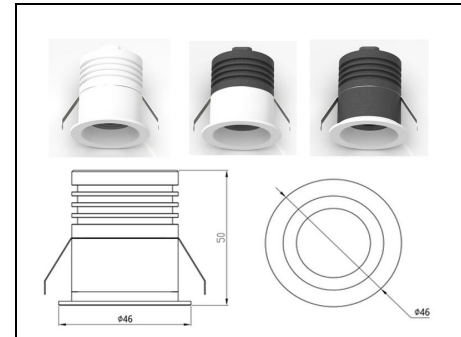
Cabinet Series LED Downlights



Product Name: Cabinet Series LED Downlights
 Model No.: ADW-DL-Cabinet-3W-48A
 Watt: 3W
 Working voltage: AC200-240V 50/60Hz
 Light source: CREE COB LED
 CRI: >90
 CCT: 2700K/3000K/4000K/5000K/6500K
 Beam angle: 15°, 24°, 38°, 50°
 Lamp Head: **Tilttable**
 Driver: Lifud / Eaglerise (other brand on request)
 Driver can be ON.OFF, Triac dimming, 0/1-10V or Dali dimming
 Material: Die-casting aluminum
 Dimension: $\Phi 53$ *H24mm, cut-out: $\Phi 48$ mm
 Finish: Matt White, Matt Black for optional (Other colour on request)
 IP rating: IP44 grade



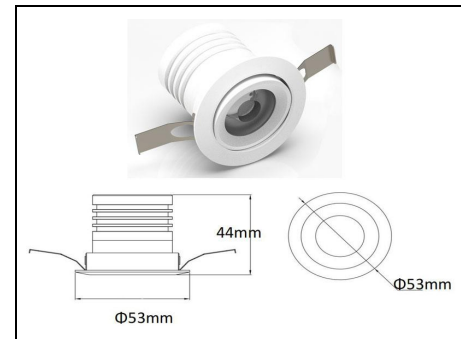
Product Name: Cabinet Series LED Downlights
 Model No.: ADW-DL-Cabinet-3W-25F
 Watt: 3W
 Working voltage: AC200-240V 50/60Hz
 Light source: OSRAM LED
 CRI: >90
 CCT: 2700K/3000K/4000K/5000K/6500K
 Beam angle: 15°, 24°, 38°, 50°
 Lamp Head: Fixed
 Driver: Lifud / Eaglerise (other brand on request)
 Driver can be ON.OFF, Triac dimming, 0/1-10V or Dali dimming
 Material: Die-casting aluminum
 Dimension: $\Phi 31$ *H26.8mm, cut-out: $\Phi 25$ mm
 Finish: Matt White, Matt Black for optional (Other colour on request)
 IP rating: IP44 grade



Product Name: Cabinet Series LED Downlights
 Model No.: ADW-DL-Cabinet-5W-40F
 Watt: 5W
 Working voltage: AC200-240V 50/60Hz
 Light source: CREE COB LED
 CRI: >90
 CCT: 2700K/3000K/4000K/5000K/6500K
 Beam angle: 15°, 24°, 38°, 50°
 Lamp Head: Fixed
 Driver: Lifud / Eaglerise (other brand on request)
 Driver can be ON.OFF, Triac dimming, 0/1-10V or Dali dimming
 Material: Die-casting aluminum
 Dimension: $\Phi 46$ *H50mm, cut-out: $\Phi 40$ mm
 Finish: Matt White, Matt Black for optional (Other colour on request)
 IP rating: IP44 grade

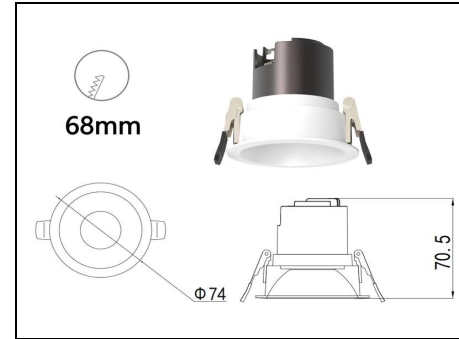


Product Name: Cabinet Series LED Downlights
 Model No.: ADW-DL-Cabinet-3W-40F
 Watt: 3W
 Working voltage: AC200-240V 50/60Hz
 Light source: CREE COB LED
 CRI: >90
 CCT: 2700K/3000K/4000K/5000K/6500K
 Beam angle: 15°, 24°, 38°, 50°
 Lamp Head: Fixed
 Driver: Lifud / Eaglerise (other brand on request)
 Driver can be ON.OFF, Triac dimming, 0/1-10V or Dali dimming
 Material: Die-casting aluminum
 Dimension: $\Phi 46$ *H30mm, cut-out: $\Phi 40$ mm
 Finish: Matt White, Matt Black for optional (Other colour on request)
 IP rating: IP44 grade

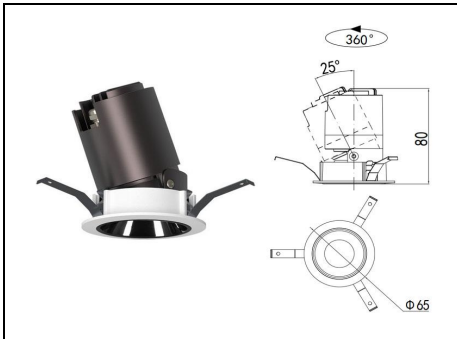


Product Name: Cabinet Series LED Downlights
 Model No.: ADW-DL-Cabinet-5W-48A
 Watt: 5W
 Working voltage: AC200-240V 50/60Hz
 Light source: CREE COB LED
 CRI: >90
 CCT: 2700K/3000K/4000K/5000K/6500K
 Beam angle: 15°, 24°, 38°, 50°
 Lamp Head: **Tilttable**
 Driver: Lifud / Eaglerise (other brand on request)
 Driver can be ON.OFF, Triac dimming, 0/1-10V or Dali dimming
 Material: Die-casting aluminum
 Dimension: $\Phi 53$ *H44mm, cut-out: $\Phi 48$ mm
 Finish: Matt White, Matt Black for optional (Other colour on request)
 IP rating: IP44 grade

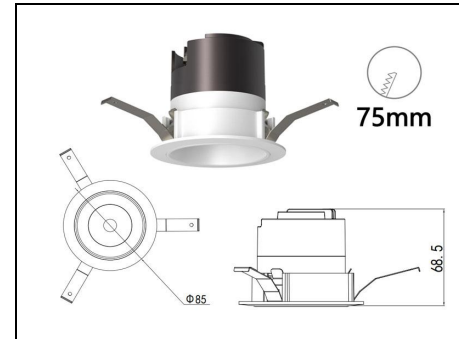
NONA Series LED Downlights



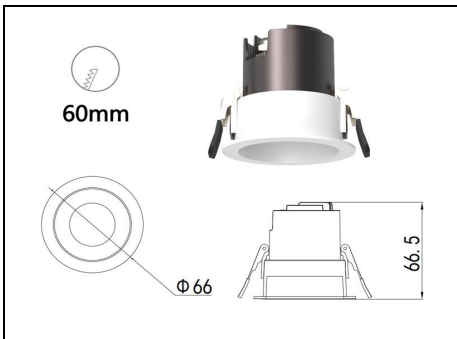
Product Name: NONA Series LED Downlights
 Model No.: ADW-DL-Nona-5W/7W/9W-F
 Watt: 5W/7W/9W
 Working voltage: AC200-240V 50/60Hz
 Light source: CREE COB LED/CITIZEN COB LED
 CRI: >90
 CCT: 2700K/3000K/4000K/5000K/6500K
 Beam angle: 15°, 24°, 38°, 60°
 Lamp Head: Fixed
 Driver: Lifud / Eaglerise (other brand on request)
 Driver can be ON.OFF, Triac dimming, 0/1-10V or Dali dimming
 Material: Die-casting aluminum
 Dimension: $\Phi 74$ *H70.5mm, cut-out: $\Phi 68$ mm
 Finish: Matt White, Matt Black for optional (Other colour on request)
 IP rating: IP54 grade



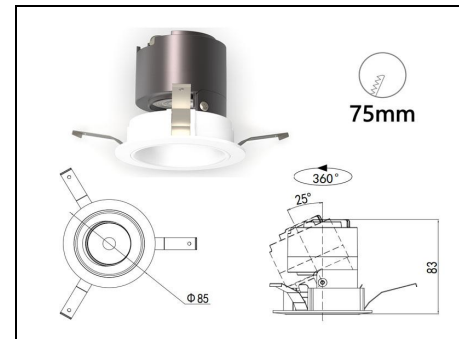
Product Name: NONA Series LED Downlights
 Model No.: ADW-DL-Nona-5W/7W-A
 Watt: 5W/7W
 Working voltage: AC200-240V 50/60Hz
 Light source: CREE COB LED/CITIZEN COB LED
 CRI: >90
 CCT: 2700K/3000K/4000K/5000K/6500K
 Beam angle: 15°, 24°, 38°, 60°
 Lamp Head: Tilttable
 Driver: Lifud / Eaglerise (other brand on request)
 Driver can be ON.OFF, Triac dimming, 0/1-10V or Dali dimming
 Material: Die-casting aluminum
 Dimension: $\Phi 65$ *H80mm, cut-out: $\Phi 55$ mm
 Finish: Matt White, Matt Black for optional (Other colour on request)
 IP rating: IP54 grade



Product Name: NONA Series LED Downlights
 Model No.: ADW-DL-Nona-7W/10W-F
 Watt: 7W/10W
 Working voltage: AC200-240V 50/60Hz
 Light source: CREE COB LED/CITIZEN COB LED
 CRI: >90
 CCT: 2700K/3000K/4000K/5000K/6500K
 Beam angle: 15°, 24°, 38°, 60°
 Lamp Head: Fixed
 Driver: Lifud / Eaglerise (other brand on request)
 Driver can be ON.OFF, Triac dimming, 0/1-10V or Dali dimming
 Material: Die-casting aluminum
 Dimension: $\Phi 85$ *H68.5mm, cut-out: $\Phi 75$ mm
 Finish: Matt White, Matt Black for optional (Other colour on request)
 IP rating: IP54 grade

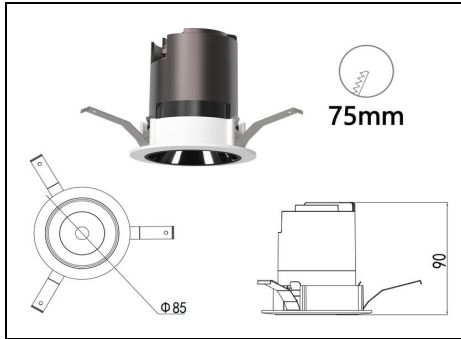


Product Name: NONA Series LED Downlights
 Model No.: ADW-DL-Nona-5W/7W/9W-F
 Watt: 5W/7W/9W
 Working voltage: AC200-240V 50/60Hz
 Light source: CREE COB LED/CITIZEN COB LED
 CRI: >90
 CCT: 2700K/3000K/4000K/5000K/6500K
 Beam angle: 15°, 24°, 38°, 60°
 Lamp Head: Fixed
 Driver: Lifud / Eaglerise (other brand on request)
 Driver can be ON.OFF, Triac dimming, 0/1-10V or Dali dimming
 Material: Die-casting aluminum
 Dimension: $\Phi 66$ *H66.5mm, cut-out: $\Phi 60$ mm
 Finish: Matt White, Matt Black for optional (Other colour on request)
 IP rating: IP54 grade

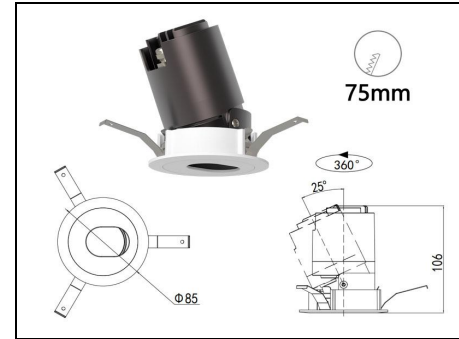


Product Name: NONA Series LED Downlights
 Model No.: ADW-DL-Nona-7W/9W-F
 Watt: 7W/9W
 Working voltage: AC200-240V 50/60Hz
 Light source: CREE COB LED/CITIZEN COB LED
 CRI: >90
 CCT: 2700K/3000K/4000K/5000K/6500K
 Beam angle: 15°, 24°, 38°, 60°
 Lamp Head: Tilttable
 Driver: Lifud / Eaglerise (other brand on request)
 Driver can be ON.OFF, Triac dimming, 0/1-10V or Dali dimming
 Material: Die-casting aluminum
 Dimension: $\Phi 85$ *H83mm, cut-out: $\Phi 75$ mm
 Finish: Matt White, Matt Black for optional (Other colour on request)
 IP rating: IP54 grade

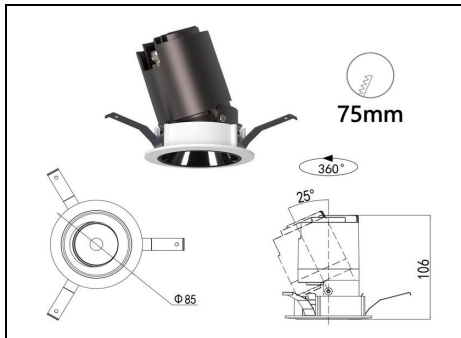
NONA Series LED Downlights



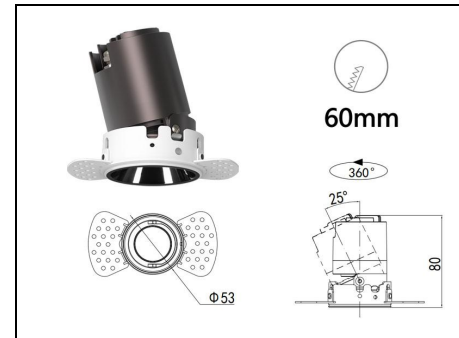
Product Name: NONA Series LED Downlights
 Model No.: ADW-DL-Nona-12W/15W-F
 Watt: 12W/15W
 Working voltage: AC200-240V 50/60Hz
 Light source: CREE COB LED/CITIZEN COB LED
 CRI: >90
 CCT: 2700K/3000K/4000K/5000K/6500K
 Beam angle: 15°, 24°, 38°, 60°
 Lamp Head: Fixed
 Driver: Lifud / Eaglerise (other brand on request)
 Driver can be ON.OFF, Triac dimming, 0/1-10V or Dali dimming
 Material: Die-casting aluminum
 Dimension: $\Phi 85 \times H90$ mm, cut-out: $\Phi 75$ mm
 Finish: Matt White, Matt Black for optional (Other colour on request)
 IP rating: IP54 grade



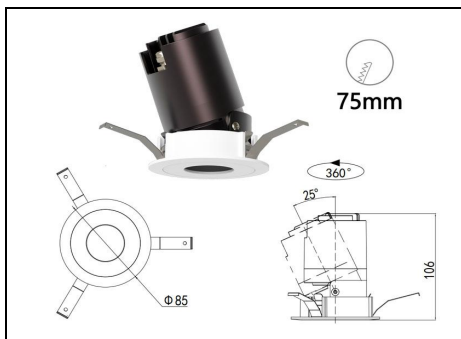
Product Name: NONA Series LED Downlights, with Oval Hole
 Model No.: ADW-DL-Nona-12W/15W-C
 Watt: 12W/15W
 Working voltage: AC200-240V 50/60Hz
 Light source: CREE COB LED/CITIZEN COB LED
 CRI: >90
 CCT: 2700K/3000K/4000K/5000K/6500K
 Beam angle: 15°, 24°, 38°, 60°
 Lamp Head: Tilttable
 Driver: Lifud / Eaglerise (other brand on request)
 Driver can be ON.OFF, Triac dimming, 0/1-10V or Dali dimming
 Material: Die-casting aluminum
 Dimension: $\Phi 85 \times H106$ mm, cut-out: $\Phi 75$ mm
 Finish: Matt White, Matt Black for optional (Other colour on request)
 IP rating: IP54 grade



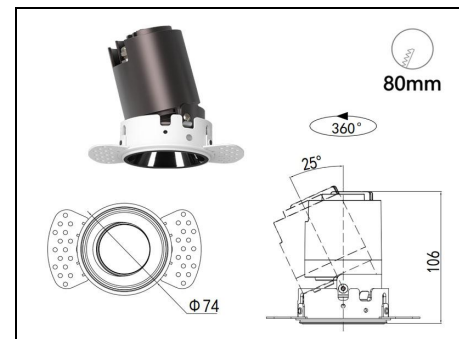
Product Name: NONA Series LED Downlights
 Model No.: ADW-DL-Nona-12W/15W-F
 Watt: 12W/15W
 Working voltage: AC200-240V 50/60Hz
 Light source: CREE COB LED/CITIZEN COB LED
 CRI: >90
 CCT: 2700K/3000K/4000K/5000K/6500K
 Beam angle: 15°, 24°, 38°, 60°
 Lamp Head: Tilttable
 Driver: Lifud / Eaglerise (other brand on request)
 Driver can be ON.OFF, Triac dimming, 0/1-10V or Dali dimming
 Material: Die-casting aluminum
 Dimension: $\Phi 85 \times H106$ mm, cut-out: $\Phi 75$ mm
 Finish: Matt White, Matt Black for optional (Other colour on request)
 IP rating: IP54 grade



Product Name: NONA Series LED Downlights, Trimless Downlight
 Model No.: ADW-DL-Nona-5W/7W/9W-T
 Watt: 5W/7W/9W
 Working voltage: AC200-240V 50/60Hz
 Light source: CREE COB LED/CITIZEN COB LED
 CRI: >90
 CCT: 2700K/3000K/4000K/5000K/6500K
 Beam angle: 15°, 24°, 38°, 60°
 Lamp Head: Tilttable
 Driver: Lifud / Eaglerise (other brand on request)
 Driver can be ON.OFF, Triac dimming, 0/1-10V or Dali dimming
 Material: Die-casting aluminum
 Dimension: $\Phi 53 \times H80$ mm, cut-out: $\Phi 60$ mm
 Finish: Matt White, Matt Black for optional (Other colour on request)
 IP rating: IP54 grade

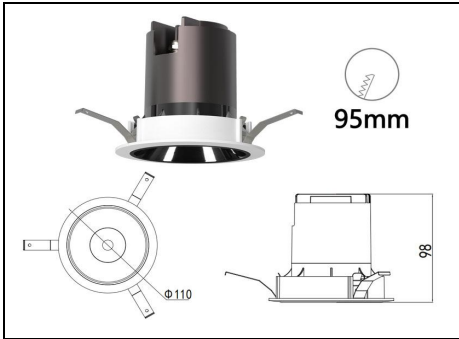


Product Name: NONA Series LED Downlights, with Circle Hole
 Model No.: ADW-DL-Nona-12W/15W-C
 Watt: 12W/15W
 Working voltage: AC200-240V 50/60Hz
 Light source: CREE COB LED/CITIZEN COB LED
 CRI: >90
 CCT: 2700K/3000K/4000K/5000K/6500K
 Beam angle: 15°, 24°, 38°, 60°
 Lamp Head: Tilttable
 Driver: Lifud / Eaglerise (other brand on request)
 Driver can be ON.OFF, Triac dimming, 0/1-10V or Dali dimming
 Material: Die-casting aluminum
 Dimension: $\Phi 85 \times H106$ mm, cut-out: $\Phi 75$ mm
 Finish: Matt White, Matt Black for optional (Other colour on request)
 IP rating: IP54 grade

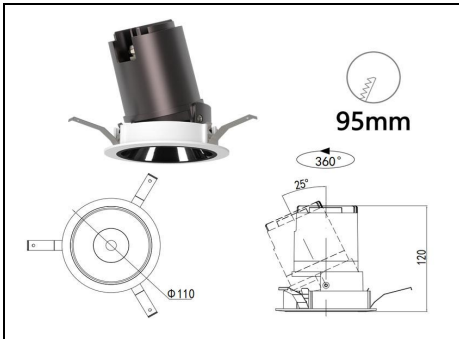


Product Name: NONA Series LED Downlights, Trimless Downlight
 Model No.: ADW-DL-Nona-12W/15W-T
 Watt: 12W/15W
 Working voltage: AC200-240V 50/60Hz
 Light source: CREE COB LED/CITIZEN COB LED
 CRI: >90
 CCT: 2700K/3000K/4000K/5000K/6500K
 Beam angle: 15°, 24°, 38°, 60°
 Lamp Head: Tilttable
 Driver: Lifud / Eaglerise (other brand on request)
 Driver can be ON.OFF, Triac dimming, 0/1-10V or Dali dimming
 Material: Die-casting aluminum
 Dimension: $\Phi 74 \times H106$ mm, cut-out: $\Phi 80$ mm
 Finish: Matt White, Matt Black for optional (Other colour on request)
 IP rating: IP54 grade

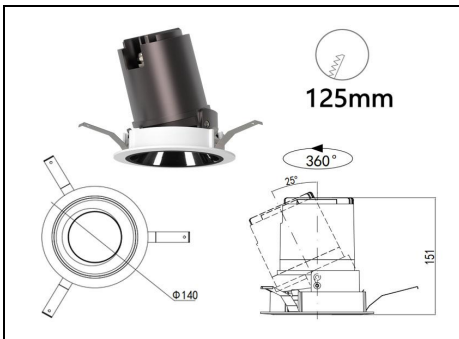
NONA Series LED Downlights



Product Name: NONA Series LED Downlights
 Model No.: ADW-DL-Nona-18W/20W-F
 Watt: 18W/20W
 Working voltage: AC200-240V 50/60Hz
 Light source: CREE COB LED/CITIZEN COB LED
 CRI: >90
 CCT: 2700K/3000K/4000K/5000K/6500K
 Beam angle: 15°, 24°, 38°, 60°
 Lamp Head: Fixed
 Driver: Lifud / Eaglerise (other brand on request)
 Driver can be ON.OFF, Triac dimming, 0/1-10V or Dali dimming
 Material: Die-casting aluminum
 Dimension: $\Phi 110 \times H98$ mm, cut-out: $\Phi 95$ mm
 Finish: Matt White, Matt Black for optional (Other colour on request)
 IP rating: IP54 grade

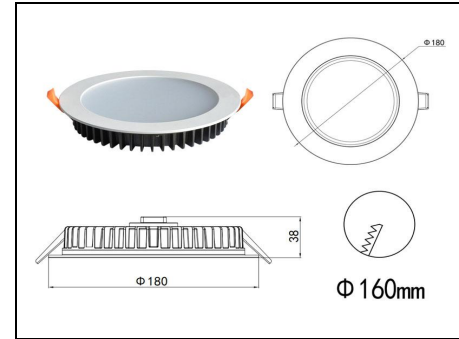
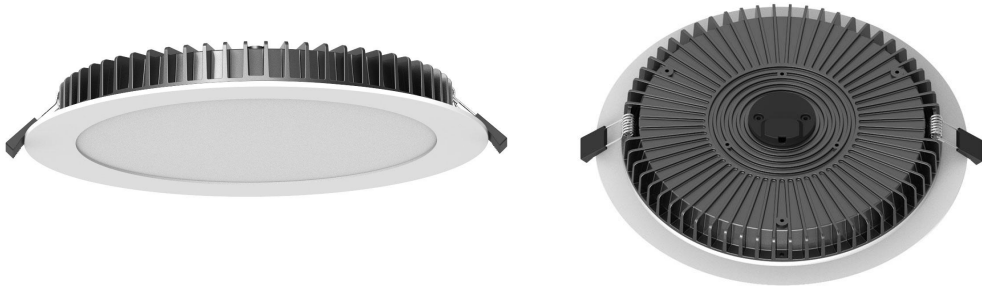


Product Name: NONA Series LED Downlights
 Model No.: ADW-DL-Nona-18W/20W-A
 Watt: 18W/20W
 Working voltage: AC200-240V 50/60Hz
 Light source: CREE COB LED/CITIZEN COB LED
 CRI: >90
 CCT: 2700K/3000K/4000K/5000K/6500K
 Beam angle: 15°, 24°, 38°, 60°
 Lamp Head: Tilttable
 Driver: Lifud / Eaglerise (other brand on request)
 Driver can be ON.OFF, Triac dimming, 0/1-10V or Dali dimming
 Material: Die-casting aluminum
 Dimension: $\Phi 110 \times H120$ mm, cut-out: $\Phi 95$ mm
 Finish: Matt White, Matt Black for optional (Other colour on request)
 IP rating: IP54 grade

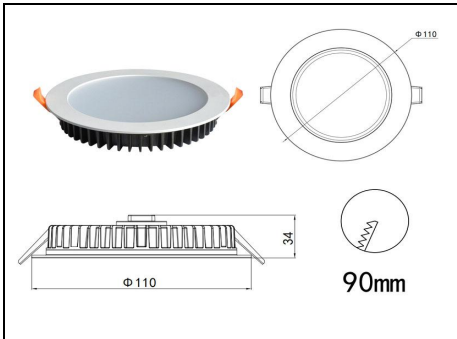


Product Name: NONA Series LED Downlights
 Model No.: ADW-DL-Nona-25W/30W-A
 Watt: 25W/30W
 Working voltage: AC200-240V 50/60Hz
 Light source: CREE COB LED/CITIZEN COB LED
 CRI: >90
 CCT: 2700K/3000K/4000K/5000K/6500K
 Beam angle: 15°, 24°, 38°, 60°
 Lamp Head: Tilttable
 Driver: Lifud / Eaglerise (other brand on request)
 Driver can be ON.OFF, Triac dimming, 0/1-10V or Dali dimming
 Material: Die-casting aluminum
 Dimension: $\Phi 140 \times H151$ mm, cut-out: $\Phi 125$ mm
 Finish: Matt White, Matt Black for optional (Other colour on request)
 IP rating: IP54 grade

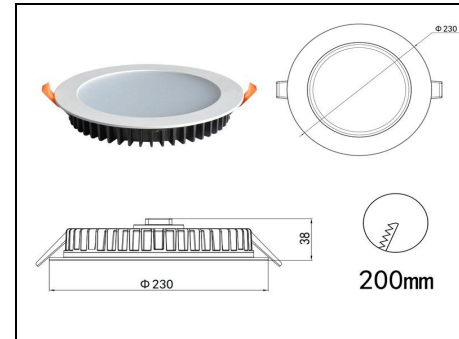
Pino Series LED Downlights



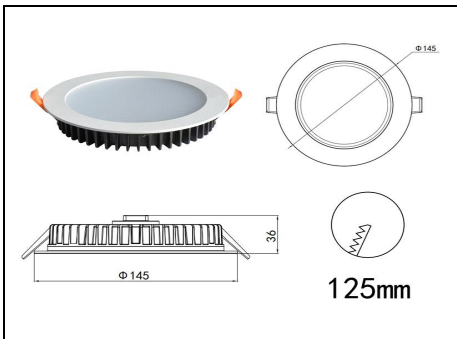
Product Name: Pino Series LED Downlights, Slim Downlight
 Model No.: ADW-DL-Pino-25W
 Watt: 25W
 Working voltage: AC200-240V 50/60Hz
 Light source: OSRAM LED
 CRI: >90
 CCT: 2700K/3000K/4000K/5000K/6500K
 Beam angle: 90°
 Lamp Head: Fixed
 Driver: Lifud / Eaglerise (other brand on request)
 Driver can be ON.OFF, Triac dimming, 0/1-10V or Dali dimming
 Material: Die-casting aluminum
 Dimension: $\Phi 180$ *H38mm, cut-out: $\Phi 160$ mm
 Finish: Matt White, Matt Black for optional (Other colour on request)
 IP rating: IP54 grade



Product Name: Pino Series LED Downlights, Slim Downlight
 Model No.: ADW-DL-Pino-8W
 Watt: 8W
 Working voltage: AC200-240V 50/60Hz
 Light source: OSRAM LED
 CRI: >90
 CCT: 2700K/3000K/4000K/5000K/6500K
 Beam angle: 90°
 Lamp Head: Fixed
 Driver: Lifud / Eaglerise (other brand on request)
 Driver can be ON.OFF, Triac dimming, 0/1-10V or Dali dimming
 Material: Die-casting aluminum
 Dimension: $\Phi 110$ *H34mm, cut-out: $\Phi 90$ mm
 Finish: Matt White, Matt Black for optional (Other colour on request)
 IP rating: IP54 grade

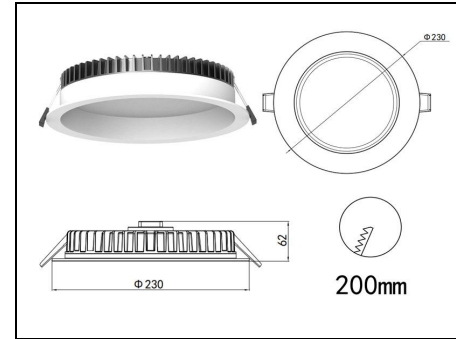


Product Name: Pino Series LED Downlights, Slim Downlight
 Model No.: ADW-DL-Pino-30W
 Watt: 30W
 Working voltage: AC200-240V 50/60Hz
 Light source: OSRAM LED
 CRI: >90
 CCT: 2700K/3000K/4000K/5000K/6500K
 Beam angle: 90°
 Lamp Head: Fixed
 Driver: Lifud / Eaglerise (other brand on request)
 Driver can be ON.OFF, Triac dimming, 0/1-10V or Dali dimming
 Material: Die-casting aluminum
 Dimension: $\Phi 230$ *H38mm, cut-out: $\Phi 200$ mm
 Finish: Matt White, Matt Black for optional (Other colour on request)
 IP rating: IP54 grade

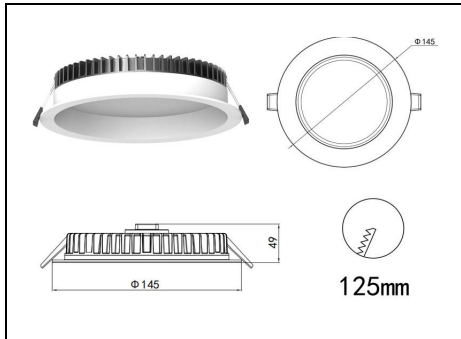


Product Name: Pino Series LED Downlights, Slim Downlight
 Model No.: ADW-DL-Pino-12W
 Watt: 12W
 Working voltage: AC200-240V 50/60Hz
 Light source: OSRAM LED
 CRI: >90
 CCT: 2700K/3000K/4000K/5000K/6500K
 Beam angle: 90°
 Lamp Head: Fixed
 Driver: Lifud / Eaglerise (other brand on request)
 Driver can be ON.OFF, Triac dimming, 0/1-10V or Dali dimming
 Material: Die-casting aluminum
 Dimension: $\Phi 145$ *H36mm, cut-out: $\Phi 125$ mm
 Finish: Matt White, Matt Black for optional (Other colour on request)
 IP rating: IP54 grade

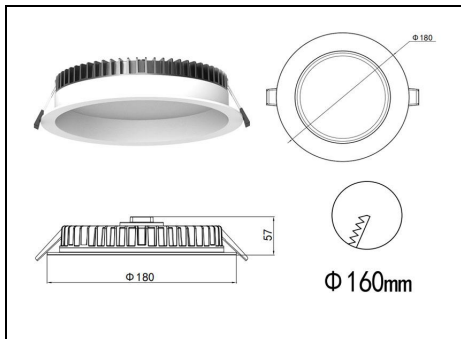
Sany Series LED Downlights



Product Name: Sany Series LED Downlights
Model No.: ADW-DL-Sany-30W
Watt: 30W
Working voltage: AC200-240V 50/60Hz
Light source: OSRAM LED
CRI: >90
CCT: 2700K/3000K/4000K/5000K/6500K
Beam angle: 90°
Lamp Head: Fixed
Driver: Lifud / Eaglerise (other brand on request)
Driver can be: ON.OFF, Triac dimming, 0/1-10V or Dali dimming
Material: Die-casting aluminum
Dimension: Φ 230*H62mm, cut-out: Φ 200mm
Finish: Matt White, Matt Black for optional (Other colour on request)
IP rating: IP54 grade

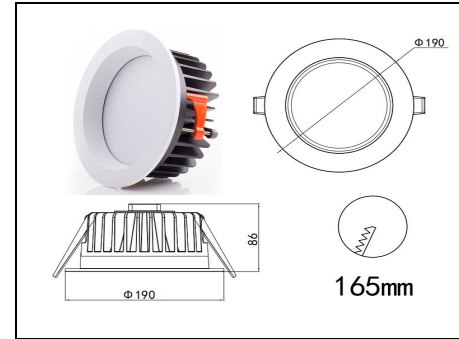


Product Name: Sany Series LED Downlights
Model No.: ADW-DL-Sany-15W
Watt: 15W
Working voltage: AC200-240V 50/60Hz
Light source: OSRAM LED
CRI: >90
CCT: 2700K/3000K/4000K/5000K/6500K
Beam angle: 90°
Lamp Head: Fixed
Driver: Lifud / Eaglerise (other brand on request)
Driver can be: ON.OFF, Triac dimming, 0/1-10V or Dali dimming
Material: Die-casting aluminum
Dimension: Φ 145*H49mm, cut-out: Φ 125mm
Finish: Matt White, Matt Black for optional (Other colour on request)
IP rating: IP54 grade

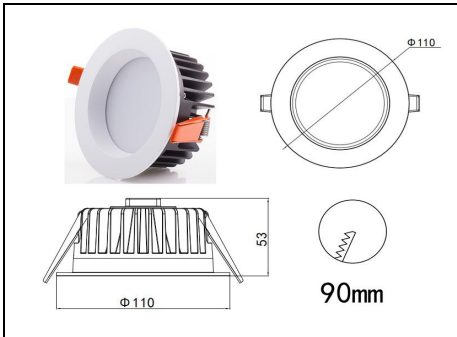


Product Name: Sany Series LED Downlights
Model No.: ADW-DL-Sany-20W
Watt: 20W
Working voltage: AC200-240V 50/60Hz
Light source: OSRAM LED
CRI: >90
CCT: 2700K/3000K/4000K/5000K/6500K
Beam angle: 90°
Lamp Head: Fixed
Driver: Lifud / Eaglerise (other brand on request)
Driver can be: ON.OFF, Triac dimming, 0/1-10V or Dali dimming
Material: Die-casting aluminum
Dimension: Φ 180*H57mm, cut-out: Φ 160mm
Finish: Matt White, Matt Black for optional (Other colour on request)
IP rating: IP54 grade

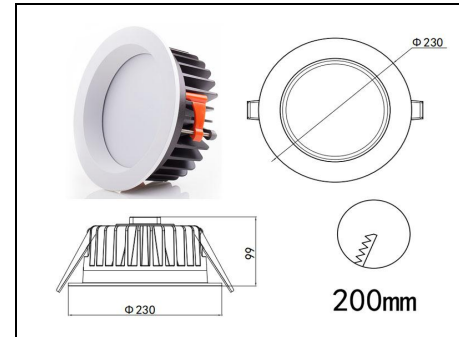
Fany Series LED Downlights



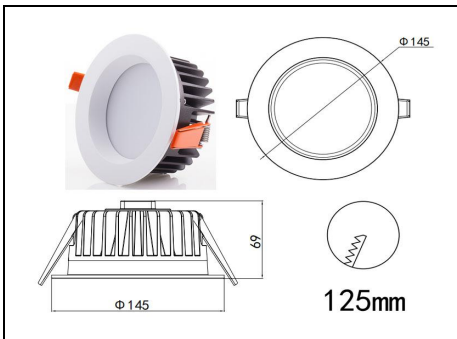
Product Name: Fany Series LED Downlights
 Model No.: ADW-DL-Fany-30W
 Watt: 30W
 Working voltage: AC200-240V 50/60Hz
 Light source: OSRAM LED
 CRI: >90
 CCT: 2700K/3000K/4000K/5000K/6500K
 Beam angle: 90°
 Lamp Head: Fixed
 Driver: Lifud / Eaglerise (other brand on request)
 Driver can be ON.OFF, Triac dimming, 0/1-10V or Dali dimming
 Material: Die-casting aluminum
 Dimension: $\Phi 190$ *H86mm, cut-out: $\Phi 165$ mm
 Finish: Matt White, Matt Black for optional (Other colour on request)
 IP rating: IP54 grade



Product Name: Fany Series LED Downlights
 Model No.: ADW-DL-Fany-15W
 Watt: 15W
 Working voltage: AC200-240V 50/60Hz
 Light source: OSRAM LED
 CRI: >90
 CCT: 2700K/3000K/4000K/5000K/6500K
 Beam angle: 90°
 Lamp Head: Fixed
 Driver: Lifud / Eaglerise (other brand on request)
 Driver can be ON.OFF, Triac dimming, 0/1-10V or Dali dimming
 Material: Die-casting aluminum
 Dimension: $\Phi 110$ *H53mm, cut-out: $\Phi 90$ mm
 Finish: Matt White, Matt Black for optional (Other colour on request)
 IP rating: IP54 grade

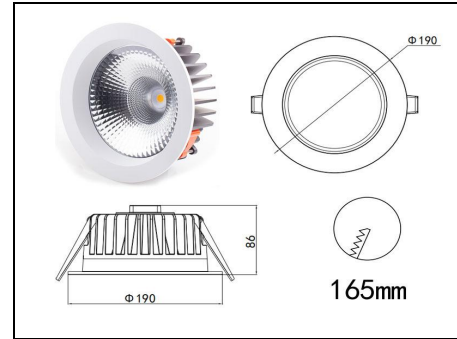


Product Name: Fany Series LED Downlights
 Model No.: ADW-DL-Fany-30W
 Watt: 30W
 Working voltage: AC200-240V 50/60Hz
 Light source: OSRAM LED
 CRI: >90
 CCT: 2700K/3000K/4000K/5000K/6500K
 Beam angle: 90°
 Lamp Head: Fixed
 Driver: Lifud / Eaglerise (other brand on request)
 Driver can be ON.OFF, Triac dimming, 0/1-10V or Dali dimming
 Material: Die-casting aluminum
 Dimension: $\Phi 190$ *H86mm, cut-out: $\Phi 165$ mm
 Finish: Matt White, Matt Black for optional (Other colour on request)
 IP rating: IP54 grade

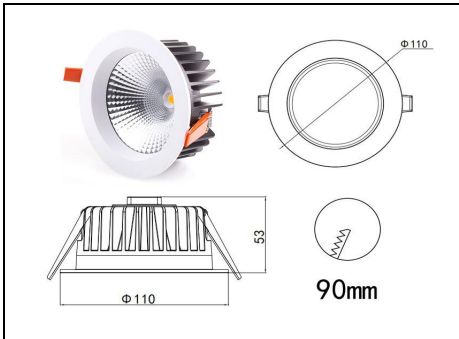


Product Name: Fany Series LED Downlights
 Model No.: ADW-DL-Fany-20W
 Watt: 20W
 Working voltage: AC200-240V 50/60Hz
 Light source: OSRAM LED
 CRI: >90
 CCT: 2700K/3000K/4000K/5000K/6500K
 Beam angle: 90°
 Lamp Head: Fixed
 Driver: Lifud / Eaglerise (other brand on request)
 Driver can be ON.OFF, Triac dimming, 0/1-10V or Dali dimming
 Material: Die-casting aluminum
 Dimension: $\Phi 145$ *H69mm, cut-out: $\Phi 125$ mm
 Finish: Matt White, Matt Black for optional (Other colour on request)
 IP rating: IP54 grade

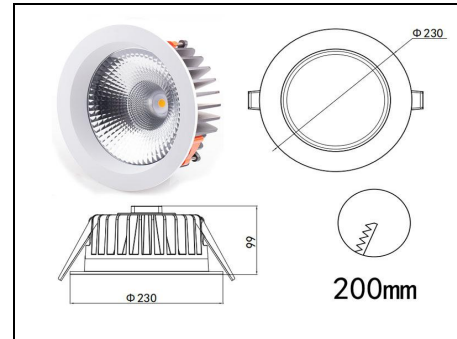
Fano Series LED Downlights



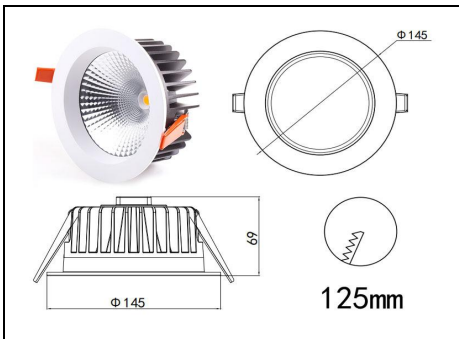
Product Name: Fano Series LED Downlights
 Model No.: ADW-DL-Fano-30W
 Watt: 30W
 Working voltage: AC200-240V 50/60Hz
 Light source: CREE COB LED/CITIZEN COB LED
 CRI: >90
 CCT: 2700K/3000K/4000K/5000K/6500K
 Beam angle: 90°
 Lamp Head: Fixed
 Driver: Lifud / Eaglerise (other brand on request)
 Driver can be ON.OFF, Triac dimming, 0/1-10V or Dali dimming
 Material: Die-casting aluminum
 Dimension: $\Phi 190 \times H 86$ mm, cut-out: $\Phi 165$ mm
 Finish: Matt White, Matt Black for optional (Other colour on request)
 IP rating: IP54 grade



Product Name: Fano Series LED Downlights
 Model No.: ADW-DL-Fano-15W
 Watt: 15W
 Working voltage: AC200-240V 50/60Hz
 Light source: CREE COB LED/CITIZEN COB LED
 CRI: >90
 CCT: 2700K/3000K/4000K/5000K/6500K
 Beam angle: 90°
 Lamp Head: Fixed
 Driver: Lifud / Eaglerise (other brand on request)
 Driver can be ON.OFF, Triac dimming, 0/1-10V or Dali dimming
 Material: Die-casting aluminum
 Dimension: $\Phi 110 \times H 53$ mm, cut-out: $\Phi 90$ mm
 Finish: Matt White, Matt Black for optional (Other colour on request)
 IP rating: IP54 grade

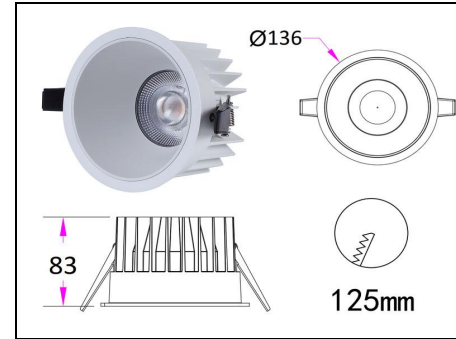
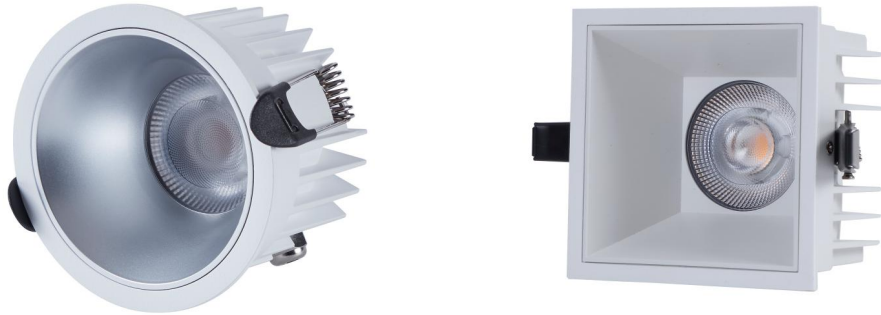


Product Name: Fano Series LED Downlights
 Model No.: ADW-DL-Fano-40W
 Watt: 40W
 Working voltage: AC200-240V 50/60Hz
 Light source: CREE COB LED/CITIZEN COB LED
 CRI: >90
 CCT: 2700K/3000K/4000K/5000K/6500K
 Beam angle: 90°
 Lamp Head: Fixed
 Driver: Lifud / Eaglerise (other brand on request)
 Driver can be ON.OFF, Triac dimming, 0/1-10V or Dali dimming
 Material: Die-casting aluminum
 Dimension: $\Phi 230 \times H 99$ mm, cut-out: $\Phi 200$ mm
 Finish: Matt White, Matt Black for optional (Other colour on request)
 IP rating: IP54 grade

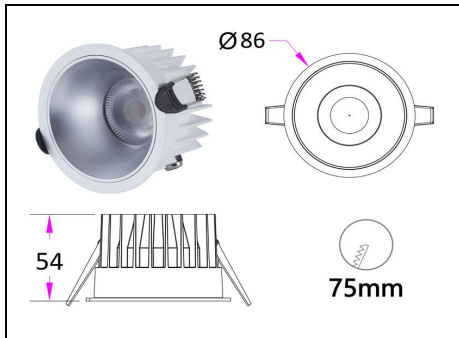


Product Name: Fano Series LED Downlights
 Model No.: ADW-DL-Fano-20W
 Watt: 20W
 Working voltage: AC200-240V 50/60Hz
 Light source: CREE COB LED/CITIZEN COB LED
 CRI: >90
 CCT: 2700K/3000K/4000K/5000K/6500K
 Beam angle: 90°
 Lamp Head: Fixed
 Driver: Lifud / Eaglerise (other brand on request)
 Driver can be ON.OFF, Triac dimming, 0/1-10V or Dali dimming
 Material: Die-casting aluminum
 Dimension: $\Phi 145 \times H 69$ mm, cut-out: $\Phi 125$ mm
 Finish: Matt White, Matt Black for optional (Other colour on request)
 IP rating: IP54 grade

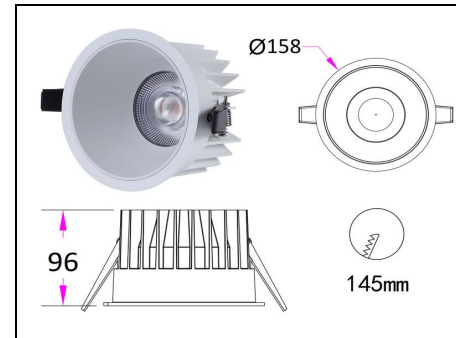
Watino Series LED Downlights: IP65 waterproof



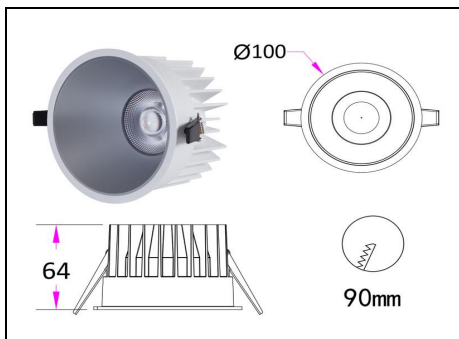
Product Name: Watino Series LED Downlights
 Model No.: ADW-DL-Watino-20W
 Watt: 20W
 Working voltage: AC200-240V 50/60Hz
 Light source: CREE COB LED/CITIZEN COB LED
 CRI: >90
 CCT: 2700K/3000K/4000K/5000K/6500K
 Beam angle: 15°, 24°, 38°, 60°
 Lamp Head: Fixed
 Driver: waterproof driver
 Driver can be ON.OFF, Triac dimming, 0/1-10V or Dali dimming
 Material: Die-casting aluminum
 Dimension: Ø136*H83mm, cut-out: Ø125mm
 Finish: Matt White, Matt Black for optional (Other colour on request)
 IP rating: IP65 grade



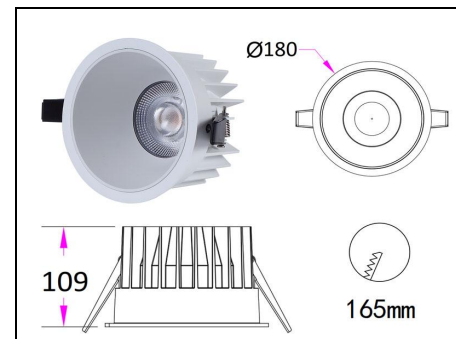
Product Name: Watino Series LED Downlights
 Model No.: ADW-DL-Watino-10W
 Watt: 10W
 Working voltage: AC200-240V 50/60Hz
 Light source: CREE COB LED/CITIZEN COB LED
 CRI: >90
 CCT: 2700K/3000K/4000K/5000K/6500K
 Beam angle: 15°, 24°, 38°, 60°
 Lamp Head: Fixed
 Driver: waterproof driver
 Driver can be ON.OFF, Triac dimming, 0/1-10V or Dali dimming
 Material: Die-casting aluminum
 Dimension: Ø86*H54mm, cut-out: Ø75mm
 Finish: Matt White, Matt Black for optional (Other colour on request)
 IP rating: IP65 grade



Product Name: Watino Series LED Downlights
 Model No.: ADW-DL-Watino-30W
 Watt: 30W
 Working voltage: AC200-240V 50/60Hz
 Light source: CREE COB LED/CITIZEN COB LED
 CRI: >90
 CCT: 2700K/3000K/4000K/5000K/6500K
 Beam angle: 15°, 24°, 38°, 60°
 Lamp Head: Fixed
 Driver: waterproof driver
 Driver can be ON.OFF, Triac dimming, 0/1-10V or Dali dimming
 Material: Die-casting aluminum
 Dimension: Ø158*H96mm, cut-out: Ø145mm
 Finish: Matt White, Matt Black for optional (Other colour on request)
 IP rating: IP65 grade

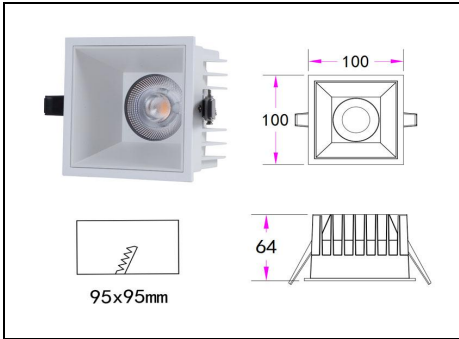


Product Name: Watino Series LED Downlights
 Model No.: ADW-DL-Watino-15W
 Watt: 15W
 Working voltage: AC200-240V 50/60Hz
 Light source: CREE COB LED/CITIZEN COB LED
 CRI: >90
 CCT: 2700K/3000K/4000K/5000K/6500K
 Beam angle: 15°, 24°, 38°, 60°
 Lamp Head: Fixed
 Driver: waterproof driver
 Driver can be ON.OFF, Triac dimming, 0/1-10V or Dali dimming
 Material: Die-casting aluminum
 Dimension: Ø100*H64mm, cut-out: Ø90mm
 Finish: Matt White, Matt Black for optional (Other colour on request)
 IP rating: IP65 grade

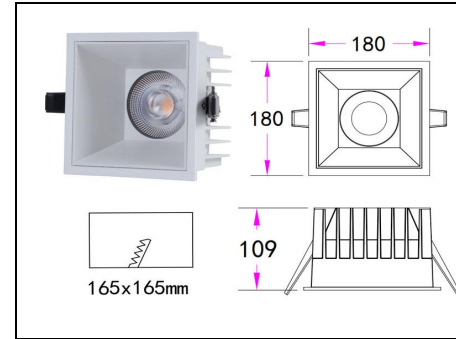


Product Name: Watino Series LED Downlights
 Model No.: ADW-DL-Watino-40W
 Watt: 40W
 Working voltage: AC200-240V 50/60Hz
 Light source: CREE COB LED/CITIZEN COB LED
 CRI: >90
 CCT: 2700K/3000K/4000K/5000K/6500K
 Beam angle: 15°, 24°, 38°, 60°
 Lamp Head: Fixed
 Driver: waterproof driver
 Driver can be ON.OFF, Triac dimming, 0/1-10V or Dali dimming
 Material: Die-casting aluminum
 Dimension: Ø180*H109mm, cut-out: Ø165mm
 Finish: Matt White, Matt Black for optional (Other colour on request)
 IP rating: IP65 grade

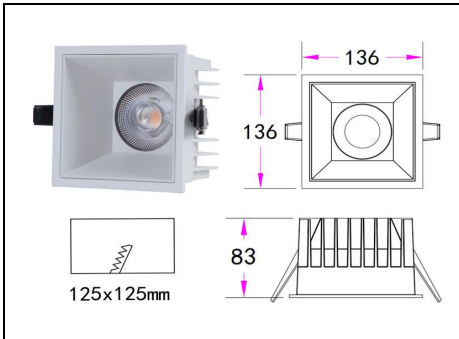
Watino Series LED Downlights: IP65 waterproof



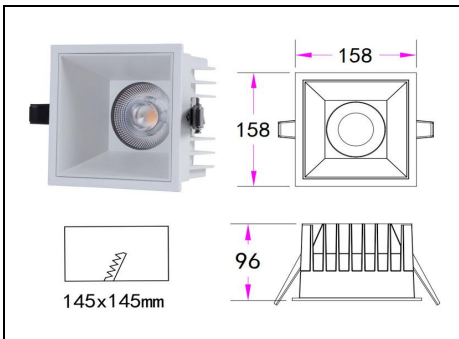
Product Name: Watino Series LED Downlights
 Model No.: ADW-DL-Watino-15WS
 Watt: 15W
 Working voltage: AC200-240V 50/60Hz
 Light source: CREE COB LED/CITIZEN COB LED
 CRI: >90
 CCT: 2700K/3000K/4000K/5000K/6500K
 Beam angle: 15°, 24°, 38°, 60°
 Lamp Head: Fixed
 Driver: waterproof driver
 Driver can be ON.OFF, Triac dimming, 0/1-10V or Dali dimming
 Material: Die-casting aluminum
 Dimension: L100*W64mm, cut-out: L90*W90mm
 Finish: Matt White, Matt Black for optional (Other colour on request)
 IP rating: IP65 grade



Product Name: Watino Series LED Downlights
 Model No.: ADW-DL-Watino-40WS
 Watt: 40W
 Working voltage: AC200-240V 50/60Hz
 Light source: CREE COB LED/CITIZEN COB LED
 CRI: >90
 CCT: 2700K/3000K/4000K/5000K/6500K
 Beam angle: 15°, 24°, 38°, 60°
 Lamp Head: Fixed
 Driver: waterproof driver
 Driver can be ON.OFF, Triac dimming, 0/1-10V or Dali dimming
 Material: Die-casting aluminum
 Dimension: L180*W109mm, cut-out: L165*W165mm
 Finish: Matt White, Matt Black for optional (Other colour on request)
 IP rating: IP65 grade

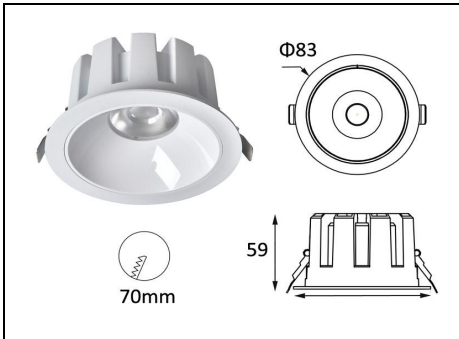


Product Name: Watino Series LED Downlights
 Model No.: ADW-DL-Watino-20WS
 Watt: 20W
 Working voltage: AC200-240V 50/60Hz
 Light source: CREE COB LED/CITIZEN COB LED
 CRI: >90
 CCT: 2700K/3000K/4000K/5000K/6500K
 Beam angle: 15°, 24°, 38°, 60°
 Lamp Head: Fixed
 Driver: waterproof driver
 Driver can be ON.OFF, Triac dimming, 0/1-10V or Dali dimming
 Material: Die-casting aluminum
 Dimension: L136*W83mm, cut-out: L125*W125mm
 Finish: Matt White, Matt Black for optional (Other colour on request)
 IP rating: IP65 grade

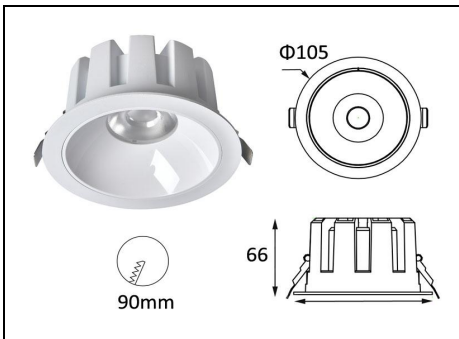


Product Name: Watino Series LED Downlights
 Model No.: ADW-DL-Watino-30WS
 Watt: 30W
 Working voltage: AC200-240V 50/60Hz
 Light source: CREE COB LED/CITIZEN COB LED
 CRI: >90
 CCT: 2700K/3000K/4000K/5000K/6500K
 Beam angle: 15°, 24°, 38°, 60°
 Lamp Head: Fixed
 Driver: waterproof driver
 Driver can be ON.OFF, Triac dimming, 0/1-10V or Dali dimming
 Material: Die-casting aluminum
 Dimension: L158*W96mm, cut-out: L145*W145mm
 Finish: Matt White, Matt Black for optional (Other colour on request)
 IP rating: IP65 grade

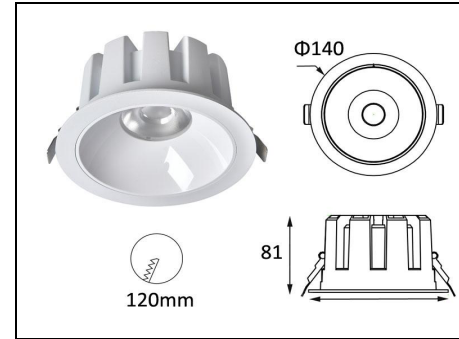
Lafa Series LED Downlights



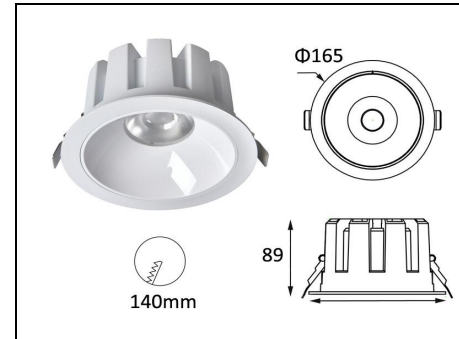
Product Name: Lafa Series LED Downlights
 Model No.: ADW-DL-Lafa-7W/10W/12W
 Watt: 7W/10W/12W
 Working voltage: AC200-240V 50/60Hz
 Light source: CREE COB LED/CITIZEN COB LED
 CRI: >90
 CCT: 2700K/3000K/4000K/5000K/6500K
 Beam angle: 15°, 24°, 36°, 55°
 Lamp Head: Fixed
 Driver: Lifud / Eaglerise (other brand on request)
 Driver can be ON.OFF, Triac dimming, 0/1-10V or Dali dimming
 Material: Die-casting aluminum
 Dimension: Φ83*H59mm, cut-out: Φ70mm
 Finish: Matt White, Matt Black for optional (Other colour on request)
 IP rating: IP54 grade



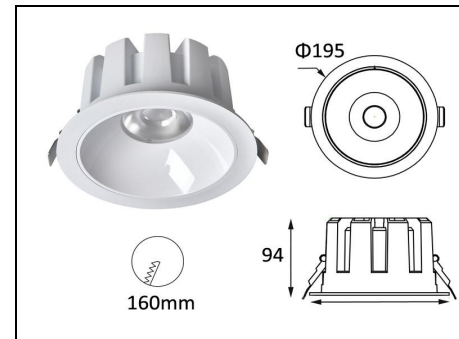
Product Name: Lafa Series LED Downlights
 Model No.: ADW-DL-Lafa-15W/20W
 Watt: 15W/20W
 Working voltage: AC200-240V 50/60Hz
 Light source: CREE COB LED/CITIZEN COB LED
 CRI: >90
 CCT: 2700K/3000K/4000K/5000K/6500K
 Beam angle: 15°, 24°, 36°, 55°
 Lamp Head: Fixed
 Driver: Lifud / Eaglerise (other brand on request)
 Driver can be ON.OFF, Triac dimming, 0/1-10V or Dali dimming
 Material: Die-casting aluminum
 Dimension: Φ105*H66mm, cut-out: Φ90mm
 Finish: Matt White, Matt Black for optional (Other colour on request)
 IP rating: IP54 grade



Product Name: Lafa Series LED Downlights
 Model No.: ADW-DL-Lafa-25W/30W
 Watt: 25W/30W
 Working voltage: AC200-240V 50/60Hz
 Light source: CREE COB LED/CITIZEN COB LED
 CRI: >90
 CCT: 2700K/3000K/4000K/5000K/6500K
 Beam angle: 15°, 24°, 36°, 55°
 Lamp Head: Fixed
 Driver: Lifud / Eaglerise (other brand on request)
 Driver can be ON.OFF, Triac dimming, 0/1-10V or Dali dimming
 Material: Die-casting aluminum
 Dimension: Φ140*H81mm, cut-out: Φ120mm
 Finish: Matt White, Matt Black for optional (Other colour on request)
 IP rating: IP54 grade

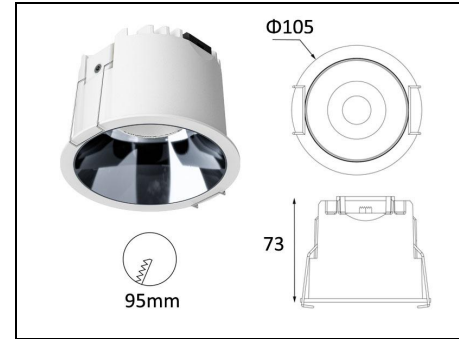


Product Name: Lafa Series LED Downlights
 Model No.: ADW-DL-Lafa-35W/40W
 Watt: 35W/40W
 Working voltage: AC200-240V 50/60Hz
 Light source: CREE COB LED/CITIZEN COB LED
 CRI: >90
 CCT: 2700K/3000K/4000K/5000K/6500K
 Beam angle: 15°, 24°, 36°, 55°
 Lamp Head: Fixed
 Driver: Lifud / Eaglerise (other brand on request)
 Driver can be ON.OFF, Triac dimming, 0/1-10V or Dali dimming
 Material: Die-casting aluminum
 Dimension: Φ165*H89mm, cut-out: Φ140mm
 Finish: Matt White, Matt Black for optional (Other colour on request)
 IP rating: IP54 grade

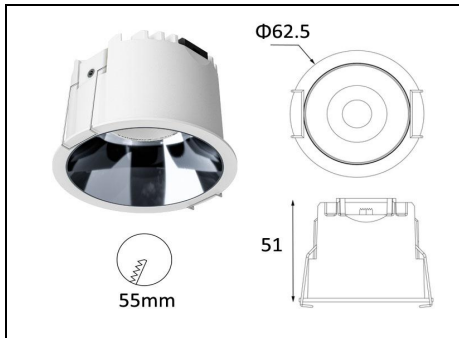


Product Name: Lafa Series LED Downlights
 Model No.: ADW-DL-Lafa-50W
 Watt: 50W
 Working voltage: AC200-240V 50/60Hz
 Light source: CREE COB LED/CITIZEN COB LED
 CRI: >90
 CCT: 2700K/3000K/4000K/5000K/6500K
 Beam angle: 15°, 24°, 36°, 55°
 Lamp Head: Fixed
 Driver: Lifud / Eaglerise (other brand on request)
 Driver can be ON.OFF, Triac dimming, 0/1-10V or Dali dimming
 Material: Die-casting aluminum
 Dimension: Φ195*H94mm, cut-out: Φ160mm
 Finish: Matt White, Matt Black for optional (Other colour on request)
 IP rating: IP54 grade

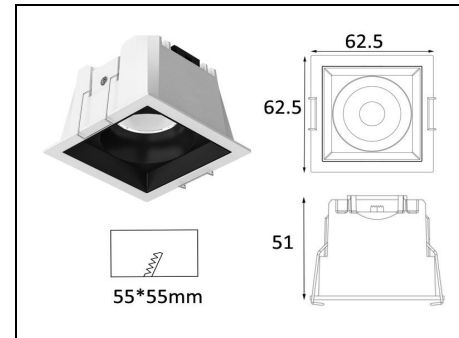
Jazz Series LED Downlights



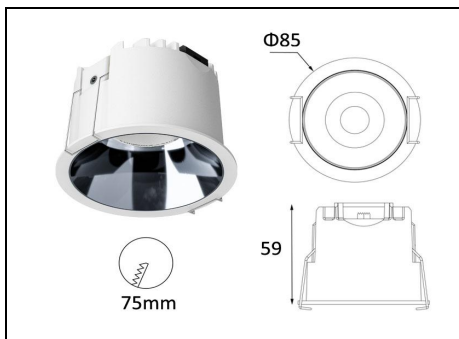
Product Name: Jazz Series LED Downlights
 Model No.: ADW-DL-Jazz-15W/20W
 Watt: 15W/20W
 Working voltage: AC200-240V 50/60Hz
 Light source: CREE COB LED/CITIZEN COB LED
 CRI: >90
 CCT: 2700K/3000K/4000K/5000K/6500K
 Beam angle: 15°, 24°, 38°, 55°
 Lamp Head: Fixed
 Driver: Lifud / Eaglerise (other brand on request)
 Driver can be ON.OFF, Triac dimming, 0/1-10V or Dali dimming
 Material: Die-casting aluminum
 Dimension: $\Phi 105 \times H73$ mm, cut-out: $\Phi 95$ mm
 Finish: Matt White, Matt Black for optional (Other colour on request)
 IP rating: IP54 grade



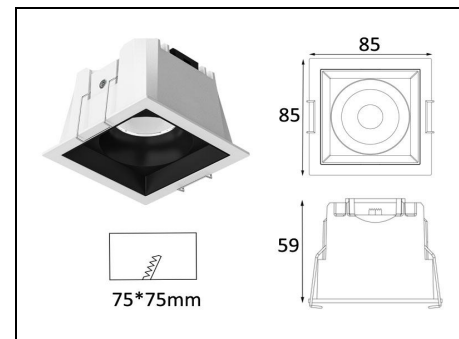
Product Name: Jazz Series LED Downlights
 Model No.: ADW-DL-Jazz-7W
 Watt: 7W
 Working voltage: AC200-240V 50/60Hz
 Light source: CREE COB LED/CITIZEN COB LED
 CRI: >90
 CCT: 2700K/3000K/4000K/5000K/6500K
 Beam angle: 15°, 24°, 38°, 55°
 Lamp Head: Fixed
 Driver: Lifud / Eaglerise (other brand on request)
 Driver can be ON.OFF, Triac dimming, 0/1-10V or Dali dimming
 Material: Die-casting aluminum
 Dimension: $\Phi 62.5 \times H51$ mm, cut-out: $\Phi 55$ mm
 Finish: Matt White, Matt Black for optional (Other colour on request)
 IP rating: IP54 grade



Product Name: Jazz Series LED Downlights, Square
 Model No.: ADW-DL-Jazz-7W-F
 Watt: 7W
 Working voltage: AC200-240V 50/60Hz
 Light source: CREE COB LED/CITIZEN COB LED
 CRI: >90
 CCT: 2700K/3000K/4000K/5000K/6500K
 Beam angle: 15°, 24°, 38°, 55°
 Lamp Head: Fixed
 Driver: Lifud / Eaglerise (other brand on request)
 Driver can be ON.OFF, Triac dimming, 0/1-10V or Dali dimming
 Material: Die-casting aluminum
 Dimension: $L62.5 \times W62.5 \times H51$ mm, cut-out: $L55 \times W55$ mm
 Finish: Matt White, Matt Black for optional (Other colour on request)
 IP rating: IP54 grade

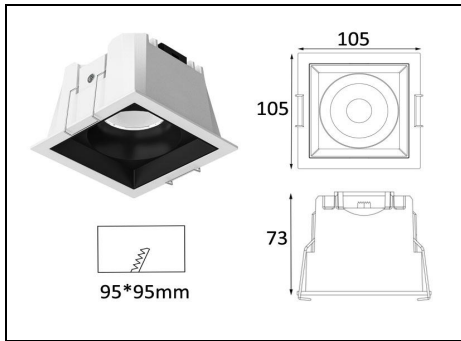


Product Name: Jazz Series LED Downlights
 Model No.: ADW-DL-Jazz-10W/12W
 Watt: 10W/12W
 Working voltage: AC200-240V 50/60Hz
 Light source: CREE COB LED/CITIZEN COB LED
 CRI: >90
 CCT: 2700K/3000K/4000K/5000K/6500K
 Beam angle: 15°, 24°, 38°, 55°
 Lamp Head: Fixed
 Driver: Lifud / Eaglerise (other brand on request)
 Driver can be ON.OFF, Triac dimming, 0/1-10V or Dali dimming
 Material: Die-casting aluminum
 Dimension: $\Phi 85 \times H59$ mm, cut-out: $\Phi 75$ mm
 Finish: Matt White, Matt Black for optional (Other colour on request)
 IP rating: IP54 grade

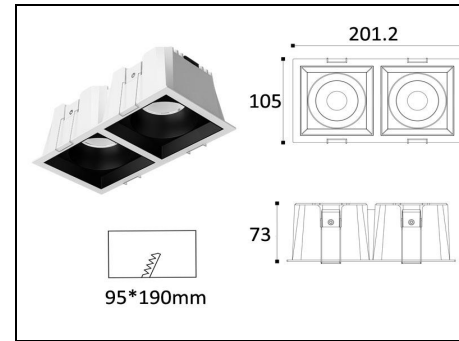


Product Name: Jazz Series LED Downlights, Square
 Model No.: ADW-DL-Jazz-10W/12W-F
 Watt: 10W/12W
 Working voltage: AC200-240V 50/60Hz
 Light source: CREE COB LED/CITIZEN COB LED
 CRI: >90
 CCT: 2700K/3000K/4000K/5000K/6500K
 Beam angle: 15°, 24°, 38°, 55°
 Lamp Head: Fixed
 Driver: Lifud / Eaglerise (other brand on request)
 Driver can be ON.OFF, Triac dimming, 0/1-10V or Dali dimming
 Material: Die-casting aluminum
 Dimension: $L85 \times W85 \times H59$ mm, cut-out: $L75 \times W75$ mm
 Finish: Matt White, Matt Black for optional (Other colour on request)
 IP rating: IP54 grade

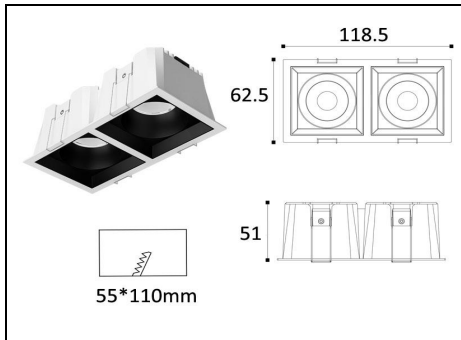
Jazz Series LED Downlights



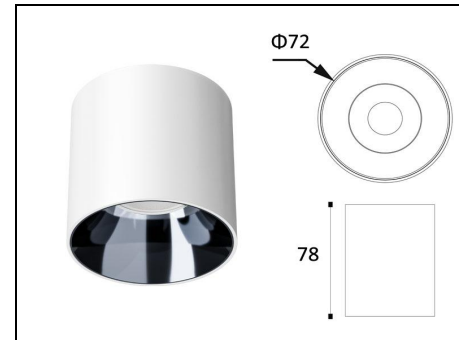
Product Name: Jazz Series LED Downlights, Square
 Model No.: ADW-DL-Jazz-15W/18W-F
 Watt: 15W/18W
 Working voltage: AC200-240V 50/60Hz
 Light source: CREE COB LED/CITIZEN COB LED
 CRI: >90
 CCT: 2700K/3000K/4000K/5000K/6500K
 Beam angle: 15°, 24°, 38°, 55°
 Lamp Head: Fixed
 Driver: Lifud / Eaglerise (other brand on request)
 Driver can be ON.OFF, Triac dimming, 0/1-10V or Dali dimming
 Material: Die-casting aluminum
 Dimension: L105*W105*H73mm, cut-out: L95*W95mm
 Finish: Matt White, Matt Black for optional (Other colour on request)
 IP rating: IP54 grade



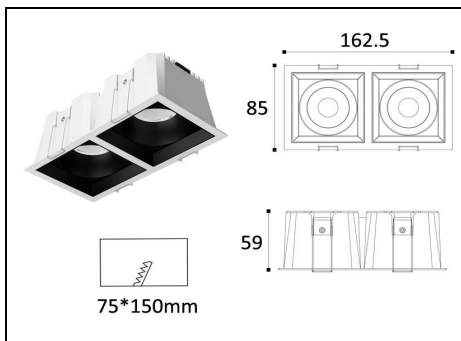
Product Name: Jazz Series LED Downlights, Square
 Model No.: ADW-DL-Jazz-2x15W/18W-T
 Watt: 2x15W/18W
 Working voltage: AC200-240V 50/60Hz
 Light source: CREE COB LED/CITIZEN COB LED
 CRI: >90
 CCT: 2700K/3000K/4000K/5000K/6500K
 Beam angle: 15°, 24°, 38°, 55°
 Lamp Head: Fixed
 Driver: Lifud / Eaglerise (other brand on request)
 Driver can be ON.OFF, Triac dimming, 0/1-10V or Dali dimming
 Material: Die-casting aluminum
 Dimension: L201.2*W105*H73mm, cut-out: L190*W95mm
 Finish: Matt White, Matt Black for optional (Other colour on request)
 IP rating: IP54 grade



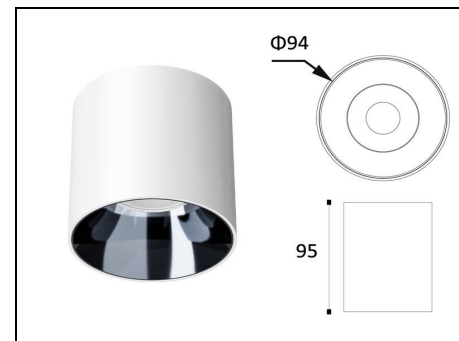
Product Name: Jazz Series LED Downlights, Square
 Model No.: ADW-DL-Jazz-2x7W-T
 Watt: 2x7W
 Working voltage: AC200-240V 50/60Hz
 Light source: CREE COB LED/CITIZEN COB LED
 CRI: >90
 CCT: 2700K/3000K/4000K/5000K/6500K
 Beam angle: 15°, 24°, 38°, 55°
 Lamp Head: Fixed
 Driver: Lifud / Eaglerise (other brand on request)
 Driver can be ON.OFF, Triac dimming, 0/1-10V or Dali dimming
 Material: Die-casting aluminum
 Dimension: L118.5*W62.5*H51mm, cut-out: L110*W55mm
 Finish: Matt White, Matt Black for optional (Other colour on request)
 IP rating: IP54 grade



Product Name: Jazz Series LED Downlights, Surface Mounted
 Model No.: ADW-DL-Jazz-12W-SM
 Watt: 12W
 Working voltage: AC200-240V 50/60Hz
 Light source: CREE COB LED/CITIZEN COB LED
 CRI: >90
 CCT: 2700K/3000K/4000K/5000K/6500K
 Beam angle: 15°, 24°, 38°, 55°
 Lamp Head: Fixed
 Driver: Lifud / Eaglerise (other brand on request)
 Driver can be ON.OFF, Triac dimming, 0/1-10V or Dali dimming
 Material: Die-casting aluminum
 Dimension: Φ72*H78mm
 Finish: Matt White, Matt Black for optional (Other colour on request)
 IP rating: IP54 grade

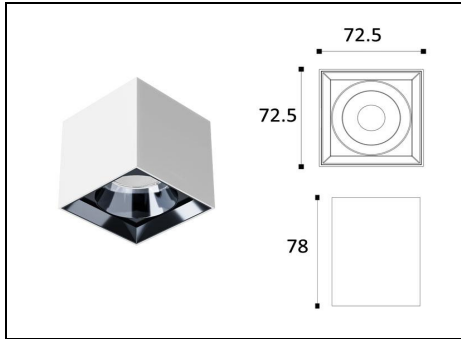


Product Name: Jazz Series LED Downlights, Square
 Model No.: ADW-DL-Jazz-2x10W/12W-T
 Watt: 2x10W/12W
 Working voltage: AC200-240V 50/60Hz
 Light source: CREE COB LED/CITIZEN COB LED
 CRI: >90
 CCT: 2700K/3000K/4000K/5000K/6500K
 Beam angle: 15°, 24°, 38°, 55°
 Lamp Head: Fixed
 Driver: Lifud / Eaglerise (other brand on request)
 Driver can be ON.OFF, Triac dimming, 0/1-10V or Dali dimming
 Material: Die-casting aluminum
 Dimension: L162.5*W85*H59mm, cut-out: L150*W75mm
 Finish: Matt White, Matt Black for optional (Other colour on request)
 IP rating: IP54 grade

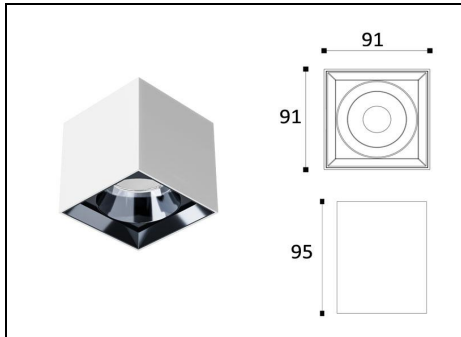


Product Name: Jazz Series LED Downlights, Surface Mounted
 Model No.: ADW-DL-Jazz-20W-SM
 Watt: 20W
 Working voltage: AC200-240V 50/60Hz
 Light source: CREE COB LED/CITIZEN COB LED
 CRI: >90
 CCT: 2700K/3000K/4000K/5000K/6500K
 Beam angle: 15°, 24°, 38°, 55°
 Lamp Head: Fixed
 Driver: Lifud / Eaglerise (other brand on request)
 Driver can be ON.OFF, Triac dimming, 0/1-10V or Dali dimming
 Material: Die-casting aluminum
 Dimension: Φ94*H95mm
 Finish: Matt White, Matt Black for optional (Other colour on request)
 IP rating: IP54 grade

Jazz Series LED Downlights

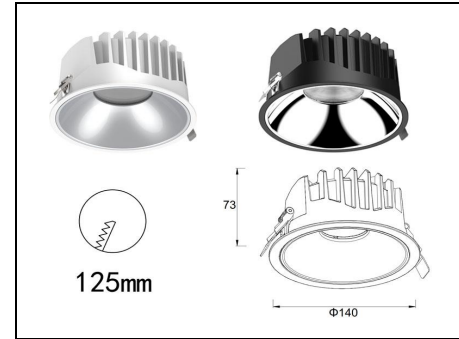


Product Name: Jazz Series LED Downlights, Surface Mounted, Square
Model No.: ADW-DL-Jazz-12W-SMS
Watt: 12W
Working voltage: AC200-240V 50/60Hz
Light source: CREE COB LED/CITIZEN COB LED
CRI: >90
CCT: 2700K/3000K/4000K/5000K/6500K
Beam angle: 15°, 24°, 38°, 55°
Lamp Head: Fixed
Driver: Lifud / Eaglerise (other brand on request)
Driver can be ON.OFF, Triac dimming, 0/1-10V or Dali dimming
Material: Die-casting aluminum
Dimension: L72.5*H78mm
Finish: Matt White, Matt Black for optional (Other colour on request)
IP rating: IP54 grade

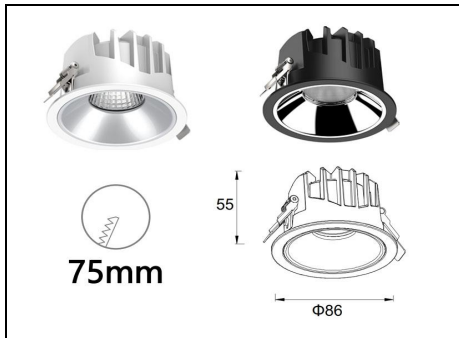


Product Name: Jazz Series LED Downlights, Surface Mounted, Square
Model No.: ADW-DL-Jazz-20W-SMS
Watt: 20W
Working voltage: AC200-240V 50/60Hz
Light source: CREE COB LED/CITIZEN COB LED
CRI: >90
CCT: 2700K/3000K/4000K/5000K/6500K
Beam angle: 15°, 24°, 38°, 55°
Lamp Head: Fixed
Driver: Lifud / Eaglerise (other brand on request)
Driver can be ON.OFF, Triac dimming, 0/1-10V or Dali dimming
Material: Die-casting aluminum
Dimension: L91*H95mm
Finish: Matt White, Matt Black for optional (Other colour on request)
IP rating: IP54 grade

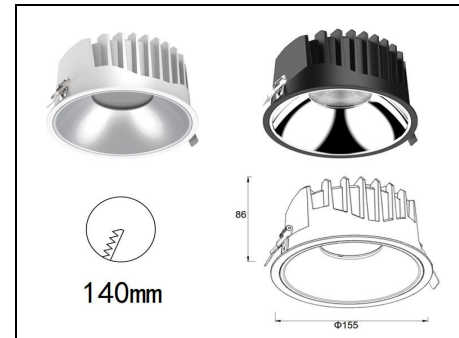
Jaga Series LED Downlights



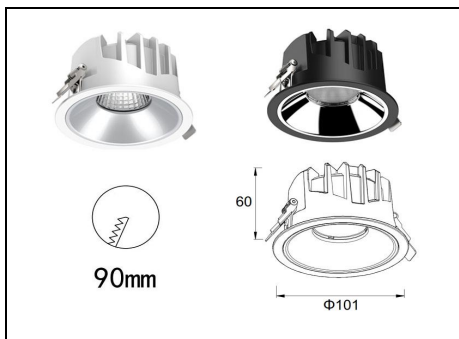
Product Name: Jaga Series LED Downlights
 Model No.: ADW-DL-Jaga-20W/30W
 Watt: 20W/30W
 Working voltage: AC200-240V 50/60Hz
 Light source: CREE COB LED/CITIZEN COB LED
 CRI: >90
 CCT: 2700K/3000K/4000K/5000K/6500K
 Beam angle: 24°, 38°, 55°
 Lamp Head: Fixed
 Driver: Lifud / Eaglerise (other brand on request)
 Driver can be ON.OFF, Triac dimming, 0/1-10V or Dali dimming
 Material: Die-casting aluminum
 Dimension: $\Phi 140 \times H 73 \text{mm}$, cut-out: $\Phi 75 \text{mm}$
 Finish: Matt White, Matt Black for optional (Other colour on request)
 IP rating: IP54 grade



Product Name: Jaga Series LED Downlights
 Model No.: ADW-DL-Jaga-10W
 Watt: 10W
 Working voltage: AC200-240V 50/60Hz
 Light source: CREE COB LED/CITIZEN COB LED
 CRI: >90
 CCT: 2700K/3000K/4000K/5000K/6500K
 Beam angle: 24°, 38°, 55°
 Lamp Head: Fixed
 Driver: Lifud / Eaglerise (other brand on request)
 Driver can be ON.OFF, Triac dimming, 0/1-10V or Dali dimming
 Material: Die-casting aluminum
 Dimension: $\Phi 86 \times H 55 \text{mm}$, cut-out: $\Phi 75 \text{mm}$
 Finish: Matt White, Matt Black for optional (Other colour on request)
 IP rating: IP54 grade

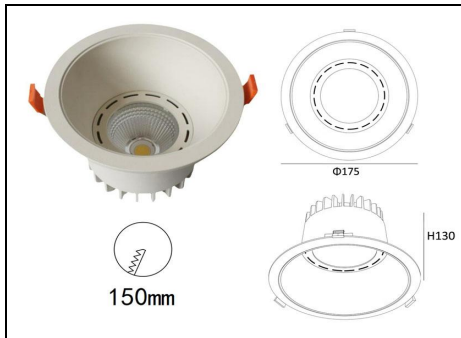
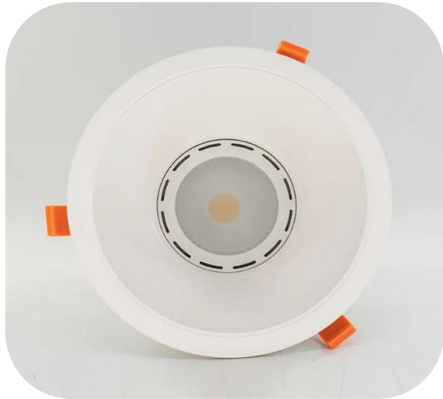


Product Name: Jaga Series LED Downlights
 Model No.: ADW-DL-Jaga-35W
 Watt: 35W
 Working voltage: AC200-240V 50/60Hz
 Light source: CREE COB LED/CITIZEN COB LED
 CRI: >90
 CCT: 2700K/3000K/4000K/5000K/6500K
 Beam angle: 24°, 38°, 55°
 Lamp Head: Fixed
 Driver: Lifud / Eaglerise (other brand on request)
 Driver can be ON.OFF, Triac dimming, 0/1-10V or Dali dimming
 Material: Die-casting aluminum
 Dimension: $\Phi 155 \times H 86 \text{mm}$, cut-out: $\Phi 140 \text{mm}$
 Finish: Matt White, Matt Black for optional (Other colour on request)
 IP rating: IP54 grade



Product Name: Jaga Series LED Downlights
 Model No.: ADW-DL-Jaga-15W
 Watt: 15W
 Working voltage: AC200-240V 50/60Hz
 Light source: CREE COB LED/CITIZEN COB LED
 CRI: >90
 CCT: 2700K/3000K/4000K/5000K/6500K
 Beam angle: 24°, 38°, 55°
 Lamp Head: Fixed
 Driver: Lifud / Eaglerise (other brand on request)
 Driver can be ON.OFF, Triac dimming, 0/1-10V or Dali dimming
 Material: Die-casting aluminum
 Dimension: $\Phi 101 \times H 60 \text{mm}$, cut-out: $\Phi 90 \text{mm}$
 Finish: Matt White, Matt Black for optional (Other colour on request)
 IP rating: IP54 grade

Qino Series LED Downlights

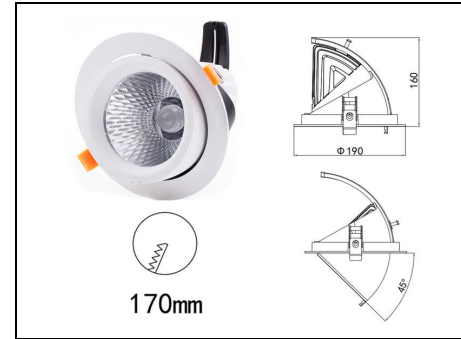


Product Name: Qino Series LED Downlights
Model No.: ADW-DL-Qino-40W
Watt: 40W
Working voltage: AC200-240V 50/60Hz
Light source: CREE COB LED/CITIZEN COB LED
CRI: >90
CCT: 2700K/3000K/4000K/5000K/6500K
Beam angle: 24°, 38°, 45°, 60°
Lamp Head: Fixed
Driver: Lifud / Eaglerise (other brand on request)
Driver can be: ON.OFF, Triac dimming, 0/1-10V or Dali dimming
Material: Die-casting aluminum
Dimension: $\Phi 175 \times H130$ mm, cut-out: $\Phi 150$ mm
Finish: Matt White, Matt Black for optional (Other colour on request)
IP rating: IP54 grade



Product Name: Qino Series LED Downlights
Model No.: ADW-DL-Qino-80W
Watt: 80W
Working voltage: AC200-240V 50/60Hz
Light source: CREE COB LED/CITIZEN COB LED
CRI: >90
CCT: 2700K/3000K/4000K/5000K/6500K
Beam angle: 24°, 38°, 45°, 60°
Lamp Head: Fixed
Driver: Lifud / Eaglerise (other brand on request)
Driver can be: ON.OFF, Triac dimming, 0/1-10V or Dali dimming
Material: Die-casting aluminum
Dimension: $\Phi 225 \times H169$ mm, cut-out: $\Phi 200$ mm
Finish: Matt White, Matt Black for optional (Other colour on request)
IP rating: IP54 grade

Snow Series LED Downlights



Product Name: Snow Series LED Downlights
 Model No.: ADW-DL-Snow-40W
 Watt: 40W
 Working voltage: AC200-240V 50/60Hz
 Light source: CREE COB LED/CITIZEN COB LED
 CRI: >90
 CCT: 2700K/3000K/4000K/5000K/6500K
 Beam angle: 15°, 24°, 38°
 Lamp Head: Tilttable
 Driver: Lifud / Eaglerise (other brand on request)
 Driver can be ON.OFF, Triac dimming, 0/1-10V or Dali dimming
 Material: Die-casting aluminum
 Dimension: $\Phi 190 \times H160$ mm, cut-out: $\Phi 170$ mm
 Finish: Matt White, Matt Black for optional (Other colour on request)
 IP rating: IP54 grade

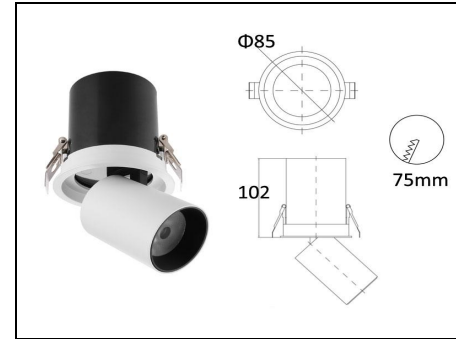


Product Name: Snow Series LED Downlights
 Model No.: ADW-DL-Snow-20W
 Watt: 20W
 Working voltage: AC200-240V 50/60Hz
 Light source: CREE COB LED/CITIZEN COB LED
 CRI: >90
 CCT: 2700K/3000K/4000K/5000K/6500K
 Beam angle: 15°, 24°, 38°
 Lamp Head: Tilttable
 Driver: Lifud / Eaglerise (other brand on request)
 Driver can be ON.OFF, Triac dimming, 0/1-10V or Dali dimming
 Material: Die-casting aluminum
 Dimension: $\Phi 140 \times H115$ mm, cut-out: $\Phi 125$ mm
 Finish: Matt White, Matt Black for optional (Other colour on request)
 IP rating: IP54 grade

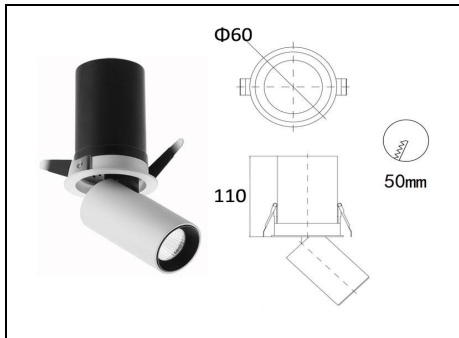


Product Name: Snow Series LED Downlights
 Model No.: ADW-DL-Snow-30W
 Watt: 30W
 Working voltage: AC200-240V 50/60Hz
 Light source: CREE COB LED/CITIZEN COB LED
 CRI: >90
 CCT: 2700K/3000K/4000K/5000K/6500K
 Beam angle: 15°, 24°, 38°
 Lamp Head: Tilttable
 Driver: Lifud / Eaglerise (other brand on request)
 Driver can be ON.OFF, Triac dimming, 0/1-10V or Dali dimming
 Material: Die-casting aluminum
 Dimension: $\Phi 160 \times H130$ mm, cut-out: $\Phi 145$ mm
 Finish: Matt White, Matt Black for optional (Other colour on request)
 IP rating: IP54 grade

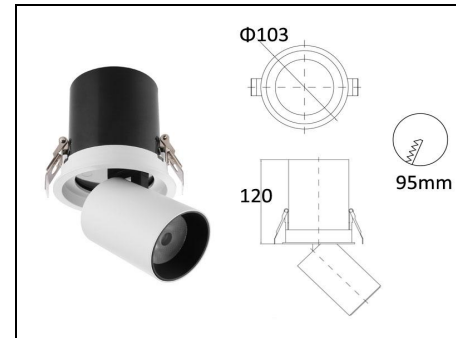
Stretch Series LED Downlights



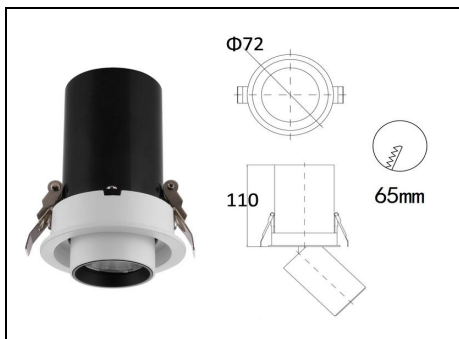
Product Name: Stretch Series LED Downlights
 Model No.: ADW-DL-Stretch-10W-2
 Watt: 10W
 Working voltage: AC200-240V 50/60Hz
 Light source: CREE COB LED/CITIZEN COB LED
 CRI: >90
 CCT: 2700K/3000K/4000K/5000K/6500K
 Beam angle: 15°, 24°, 38°
 Lamp Head: Stretchable Rotating
 Driver: Lifud / Eaglerise (other brand on request)
 Driver can be ON.OFF, Triac dimming, 0/1-10V or Dali dimming
 Material: Die-casting aluminum
 Dimension: Φ85*H102mm, cut-out: Φ75mm
 Finish: Matt White, Matt Black for optional (Other colour on request)
 IP rating: IP54 grade



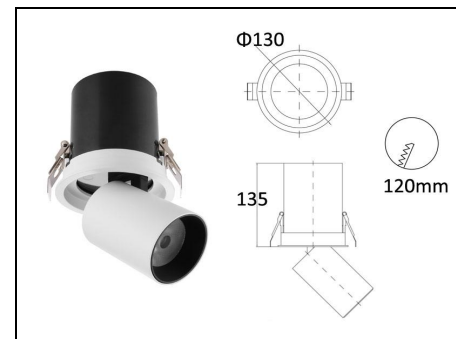
Product Name: Stretch Series LED Downlights
 Model No.: ADW-DL-Stretch-10W-1
 Watt: 10W
 Working voltage: AC200-240V 50/60Hz
 Light source: CREE COB LED/CITIZEN COB LED
 CRI: >90
 CCT: 2700K/3000K/4000K/5000K/6500K
 Beam angle: 15°, 24°, 38°
 Lamp Head: Stretchable Rotating
 Driver: Lifud / Eaglerise (other brand on request)
 Driver can be ON.OFF, Triac dimming, 0/1-10V or Dali dimming
 Material: Die-casting aluminum
 Dimension: Φ60*H110mm, cut-out: Φ50mm
 Finish: Matt White, Matt Black for optional (Other colour on request)
 IP rating: IP54 grade



Product Name: Stretch Series LED Downlights
 Model No.: ADW-DL-Stretch-15W
 Watt: 15W
 Working voltage: AC200-240V 50/60Hz
 Light source: CREE COB LED/CITIZEN COB LED
 CRI: >90
 CCT: 2700K/3000K/4000K/5000K/6500K
 Beam angle: 15°, 24°, 38°
 Lamp Head: Stretchable Rotating
 Driver: Lifud / Eaglerise (other brand on request)
 Driver can be ON.OFF, Triac dimming, 0/1-10V or Dali dimming
 Material: Die-casting aluminum
 Dimension: Φ103*H120mm, cut-out: Φ95mm
 Finish: Matt White, Matt Black for optional (Other colour on request)
 IP rating: IP54 grade

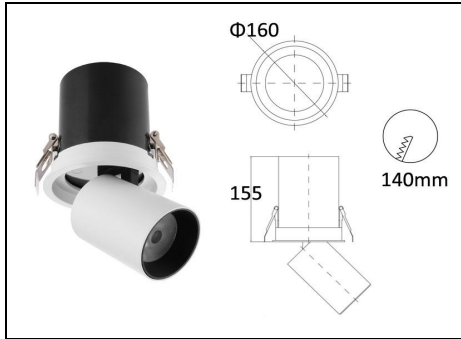


Product Name: Stretch Series LED Downlights
 Model No.: ADW-DL-Stretch-7W
 Watt: 7W
 Working voltage: AC200-240V 50/60Hz
 Light source: CREE COB LED/CITIZEN COB LED
 CRI: >90
 CCT: 2700K/3000K/4000K/5000K/6500K
 Beam angle: 15°, 24°, 38°
 Lamp Head: Stretchable Rotating
 Driver: Lifud / Eaglerise (other brand on request)
 Driver can be ON.OFF, Triac dimming, 0/1-10V or Dali dimming
 Material: Die-casting aluminum
 Dimension: Φ72*H110mm, cut-out: Φ65mm
 Finish: Matt White, Matt Black for optional (Other colour on request)
 IP rating: IP54 grade

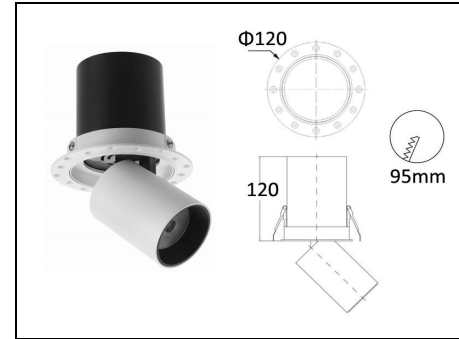


Product Name: Stretch Series LED Downlights
 Model No.: ADW-DL-Stretch-25W
 Watt: 25W
 Working voltage: AC200-240V 50/60Hz
 Light source: CREE COB LED/CITIZEN COB LED
 CRI: >90
 CCT: 2700K/3000K/4000K/5000K/6500K
 Beam angle: 15°, 24°, 38°
 Lamp Head: Stretchable Rotating
 Driver: Lifud / Eaglerise (other brand on request)
 Driver can be ON.OFF, Triac dimming, 0/1-10V or Dali dimming
 Material: Die-casting aluminum
 Dimension: Φ130*H135mm, cut-out: Φ120mm
 Finish: Matt White, Matt Black for optional (Other colour on request)
 IP rating: IP54 grade

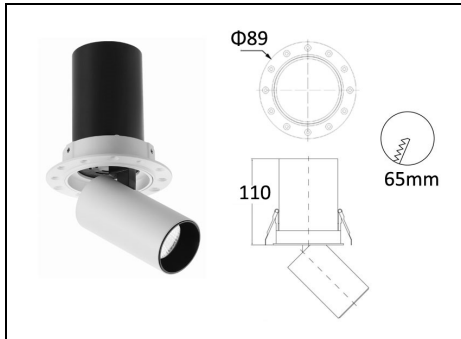
Stretch Series LED Downlights



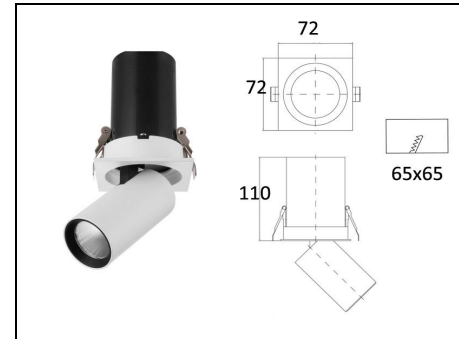
Product Name: Stretch Series LED Downlights
 Model No.: ADW-DL-Stretch-35W
 Watt: 35W
 Working voltage: AC200-240V 50/60Hz
 Light source: CREE COB LED/CITIZEN COB LED
 CRI: >90
 CCT: 2700K/3000K/4000K/5000K/6500K
 Beam angle: 15°, 24°, 38°
 Lamp Head: Stretchable Rotating
 Driver: Lifud / Eaglerise (other brand on request)
 Driver can be ON.OFF, Triac dimming, 0/1-10V or Dali dimming
 Material: Die-casting aluminum
 Dimension: Φ160*H155mm, cut-out: Φ140mm
 Finish: Matt White, Matt Black for optional (Other colour on request)
 IP rating: IP54 grade



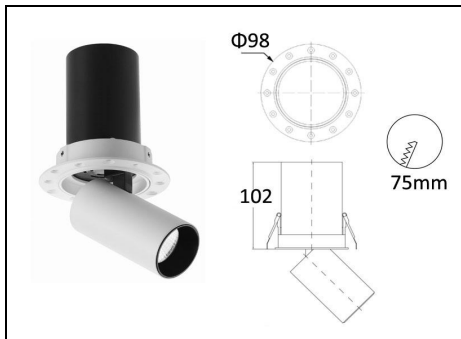
Product Name: Stretch Series LED Downlights, **Trimless**
 Model No.: ADW-DL-Stretch-15W-T
 Watt: 15W
 Working voltage: AC200-240V 50/60Hz
 Light source: CREE COB LED/CITIZEN COB LED
 CRI: >90
 CCT: 2700K/3000K/4000K/5000K/6500K
 Beam angle: 15°, 24°, 38°
 Lamp Head: Stretchable Rotating
 Driver: Lifud / Eaglerise (other brand on request)
 Driver can be ON.OFF, Triac dimming, 0/1-10V or Dali dimming
 Material: Die-casting aluminum
 Dimension: Φ120*H120mm, cut-out: Φ95mm
 Finish: Matt White, Matt Black for optional (Other colour on request)
 IP rating: IP54 grade



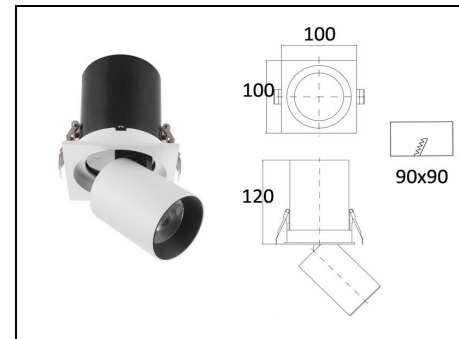
Product Name: Stretch Series LED Downlights, **Trimless**
 Model No.: ADW-DL-Stretch-7W-T
 Watt: 7W
 Working voltage: AC200-240V 50/60Hz
 Light source: CREE COB LED/CITIZEN COB LED
 CRI: >90
 CCT: 2700K/3000K/4000K/5000K/6500K
 Beam angle: 15°, 24°, 38°
 Lamp Head: Stretchable Rotating
 Driver: Lifud / Eaglerise (other brand on request)
 Driver can be ON.OFF, Triac dimming, 0/1-10V or Dali dimming
 Material: Die-casting aluminum
 Dimension: Φ89*H110mm, cut-out: Φ65mm
 Finish: Matt White, Matt Black for optional (Other colour on request)
 IP rating: IP54 grade



Product Name: Stretch Series LED Downlights, **Square**
 Model No.: ADW-DL-Stretch-7W-S
 Watt: 7W
 Working voltage: AC200-240V 50/60Hz
 Light source: CREE COB LED/CITIZEN COB LED
 CRI: >90
 CCT: 2700K/3000K/4000K/5000K/6500K
 Beam angle: 15°, 24°, 38°
 Lamp Head: Stretchable Rotating
 Driver: Lifud / Eaglerise (other brand on request)
 Driver can be ON.OFF, Triac dimming, 0/1-10V or Dali dimming
 Material: Die-casting aluminum
 Dimension: L72*W72*H110mm, cut-out: L65*W65mm
 Finish: Matt White, Matt Black for optional (Other colour on request)
 IP rating: IP54 grade

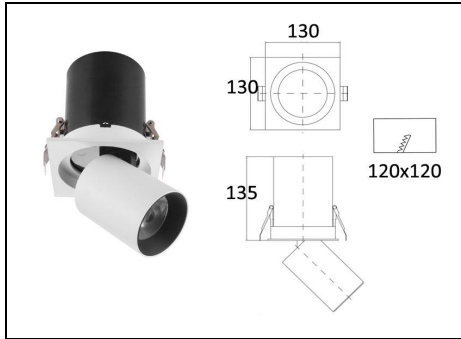


Product Name: Stretch Series LED Downlights, **Trimless**
 Model No.: ADW-DL-Stretch-10W-T
 Watt: 10W
 Working voltage: AC200-240V 50/60Hz
 Light source: CREE COB LED/CITIZEN COB LED
 CRI: >90
 CCT: 2700K/3000K/4000K/5000K/6500K
 Beam angle: 15°, 24°, 38°
 Lamp Head: Stretchable Rotating
 Driver: Lifud / Eaglerise (other brand on request)
 Driver can be ON.OFF, Triac dimming, 0/1-10V or Dali dimming
 Material: Die-casting aluminum
 Dimension: Φ98*H102mm, cut-out: Φ75mm
 Finish: Matt White, Matt Black for optional (Other colour on request)
 IP rating: IP54 grade

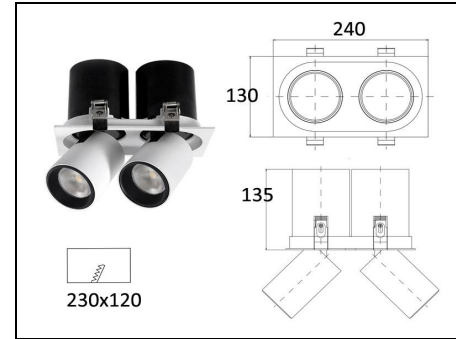


Product Name: Stretch Series LED Downlights, **Square**
 Model No.: ADW-DL-Stretch-15W-S
 Watt: 15W
 Working voltage: AC200-240V 50/60Hz
 Light source: CREE COB LED/CITIZEN COB LED
 CRI: >90
 CCT: 2700K/3000K/4000K/5000K/6500K
 Beam angle: 15°, 24°, 38°
 Lamp Head: Stretchable Rotating
 Driver: Lifud / Eaglerise (other brand on request)
 Driver can be ON.OFF, Triac dimming, 0/1-10V or Dali dimming
 Material: Die-casting aluminum
 Dimension: L100*W100*H120mm, cut-out: L90*W90mm
 Finish: Matt White, Matt Black for optional (Other colour on request)
 IP rating: IP54 grade

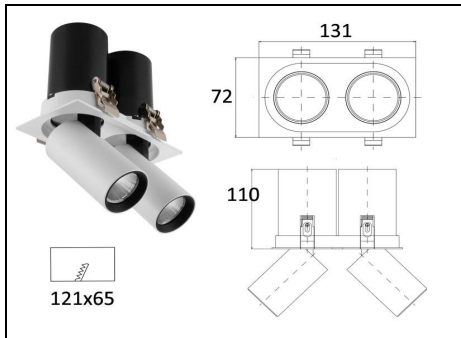
Stretch Series LED Downlights



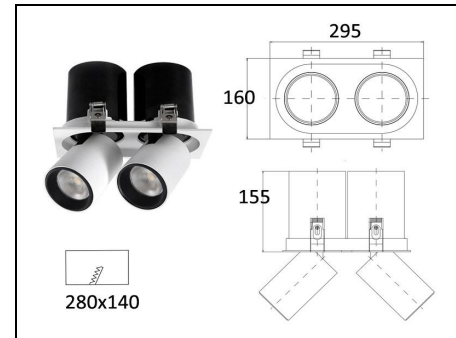
Product Name: Stretch Series LED Downlights, **Square**
 Model No.: ADW-DL-Stretch-25W-S
 Watt: 25W
 Working voltage: AC200-240V 50/60Hz
 Light source: CREE COB LED/CITIZEN COB LED
 CRI: >90
 CCT: 2700K/3000K/4000K/5000K/6500K
 Beam angle: 15°, 24°, 38°
 Lamp Head: Stretchable Rotating
 Driver: Lifud / Eaglerise (other brand on request)
 Driver can be ON.OFF, Triac dimming, 0/1-10V or Dali dimming
 Material: Die-casting aluminum
 Dimension: L130*W130*H135mm, cut-out: L120*W120mm
 Finish: Matt White, Matt Black for optional (Other colour on request)
 IP rating: IP54 grade



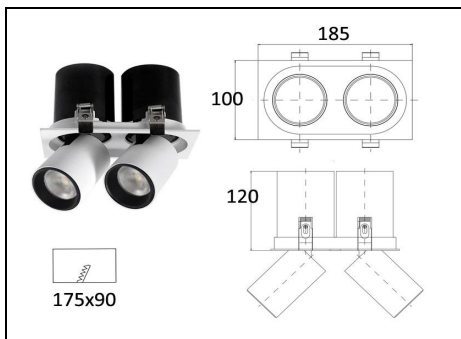
Product Name: Stretch Series LED Downlights, **Twins**
 Model No.: ADW-DL-Stretch-2*25W
 Watt: 2*25W
 Working voltage: AC200-240V 50/60Hz
 Light source: CREE COB LED/CITIZEN COB LED
 CRI: >90
 CCT: 2700K/3000K/4000K/5000K/6500K
 Beam angle: 15°, 24°, 38°
 Lamp Head: Stretchable Rotating
 Driver: Lifud / Eaglerise (other brand on request)
 Driver can be ON.OFF, Triac dimming, 0/1-10V or Dali dimming
 Material: Die-casting aluminum
 Dimension: L240*W130*H135mm, cut-out: L230*W120mm
 Finish: Matt White, Matt Black for optional (Other colour on request)
 IP rating: IP54 grade



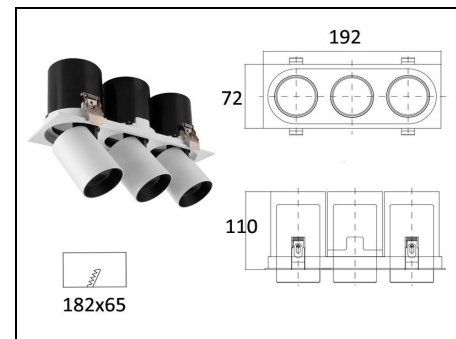
Product Name: Stretch Series LED Downlights, **Twins**
 Model No.: ADW-DL-Stretch-2*7W
 Watt: 2*7W
 Working voltage: AC200-240V 50/60Hz
 Light source: CREE COB LED/CITIZEN COB LED
 CRI: >90
 CCT: 2700K/3000K/4000K/5000K/6500K
 Beam angle: 15°, 24°, 38°
 Lamp Head: Stretchable Rotating
 Driver: Lifud / Eaglerise (other brand on request)
 Driver can be ON.OFF, Triac dimming, 0/1-10V or Dali dimming
 Material: Die-casting aluminum
 Dimension: L131*W72*H110mm, cut-out: L121*W65mm
 Finish: Matt White, Matt Black for optional (Other colour on request)
 IP rating: IP54 grade



Product Name: Stretch Series LED Downlights, **Twins**
 Model No.: ADW-DL-Stretch-2*35W
 Watt: 2*35W
 Working voltage: AC200-240V 50/60Hz
 Light source: CREE COB LED/CITIZEN COB LED
 CRI: >90
 CCT: 2700K/3000K/4000K/5000K/6500K
 Beam angle: 15°, 24°, 38°
 Lamp Head: Stretchable Rotating
 Driver: Lifud / Eaglerise (other brand on request)
 Driver can be ON.OFF, Triac dimming, 0/1-10V or Dali dimming
 Material: Die-casting aluminum
 Dimension: L295*W160*H155mm, cut-out: L280*W140mm
 Finish: Matt White, Matt Black for optional (Other colour on request)
 IP rating: IP54 grade

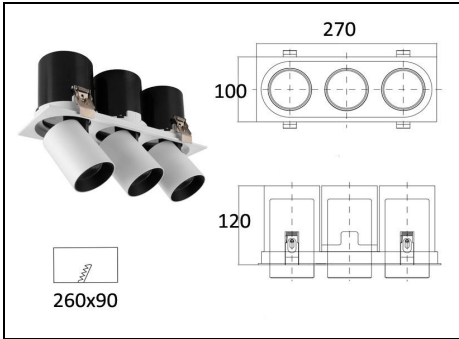


Product Name: Stretch Series LED Downlights, **Twins**
 Model No.: ADW-DL-Stretch-2*15W
 Watt: 2*15W
 Working voltage: AC200-240V 50/60Hz
 Light source: CREE COB LED/CITIZEN COB LED
 CRI: >90
 CCT: 2700K/3000K/4000K/5000K/6500K
 Beam angle: 15°, 24°, 38°
 Lamp Head: Stretchable Rotating
 Driver: Lifud / Eaglerise (other brand on request)
 Driver can be ON.OFF, Triac dimming, 0/1-10V or Dali dimming
 Material: Die-casting aluminum
 Dimension: L185*W100*H120mm, cut-out: L175*W90mm
 Finish: Matt White, Matt Black for optional (Other colour on request)
 IP rating: IP54 grade

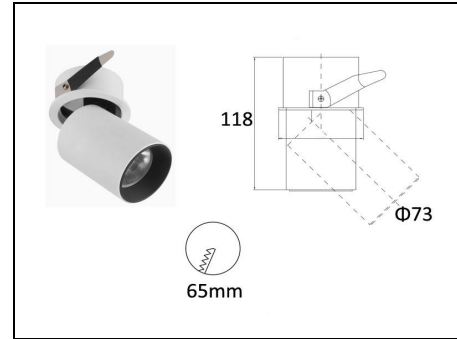


Product Name: Stretch Series LED Downlights, **Triplets**
 Model No.: ADW-DL-Stretch-3*7W
 Watt: 3*7W
 Working voltage: AC200-240V 50/60Hz
 Light source: CREE COB LED/CITIZEN COB LED
 CRI: >90
 CCT: 2700K/3000K/4000K/5000K/6500K
 Beam angle: 15°, 24°, 38°
 Lamp Head: Stretchable Rotating
 Driver: Lifud / Eaglerise (other brand on request)
 Driver can be ON.OFF, Triac dimming, 0/1-10V or Dali dimming
 Material: Die-casting aluminum
 Dimension: L192*W72*H110mm, cut-out: L182*W65mm
 Finish: Matt White, Matt Black for optional (Other colour on request)
 IP rating: IP54 grade

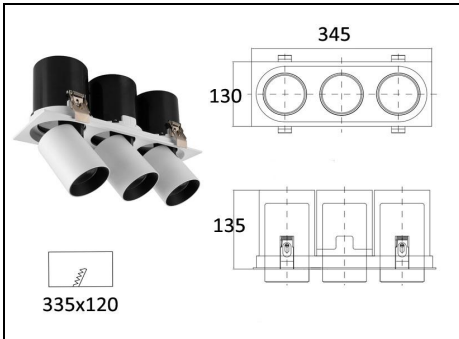
Stretch Series LED Downlights



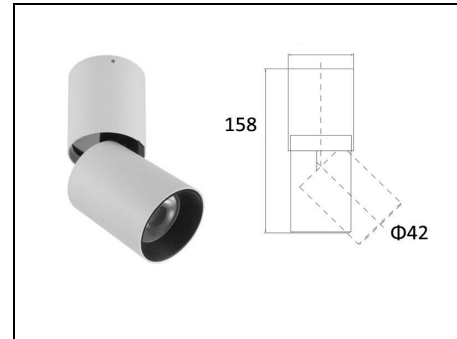
Product Name: Stretch Series LED Downlights, **Triplets**
 Model No.: ADW-DL-Stretch-3*15W
 Watt: 3*15W
 Working voltage: AC200-240V 50/60Hz
 Light source: CREE COB LED/CITIZEN COB LED
 CRI: >90
 CCT: 2700K/3000K/4000K/5000K/6500K
 Beam angle: 15°, 24°, 38°
 Lamp Head: Stretchable Rotating
 Driver: Lifud / Eaglerise (other brand on request)
 Driver can be ON.OFF, Triac dimming, 0/1-10V or Dali dimming
 Material: Die-casting aluminum
 Dimension: L270*W100*H120mm, cut-out: L260*W90mm
 Finish: Matt White, Matt Black for optional (Other colour on request)
 IP rating: IP54 grade



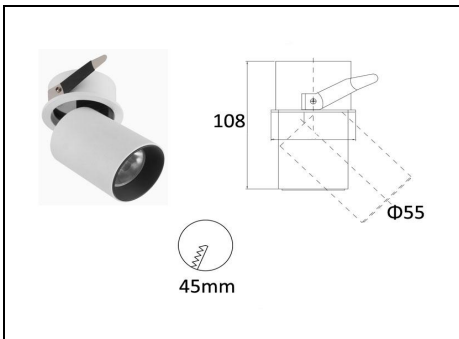
Product Name: Stretch Series LED Downlights, **Recessed**
 Model No.: ADW-DL-Stretch-15W-R
 Watt: 15W
 Working voltage: AC200-240V 50/60Hz
 Light source: CREE COB LED/CITIZEN COB LED
 CRI: >90
 CCT: 2700K/3000K/4000K/5000K/6500K
 Beam angle: 15°, 24°, 38°
 Lamp Head: Stretchable Rotating
 Driver: Lifud / Eaglerise (other brand on request)
 Driver can be ON.OFF, Triac dimming, 0/1-10V or Dali dimming
 Material: Die-casting aluminum
 Dimension: Φ73*H118mm, cut-out: Φ65mm
 Finish: Matt White, Matt Black for optional (Other colour on request)
 IP rating: IP54 grade



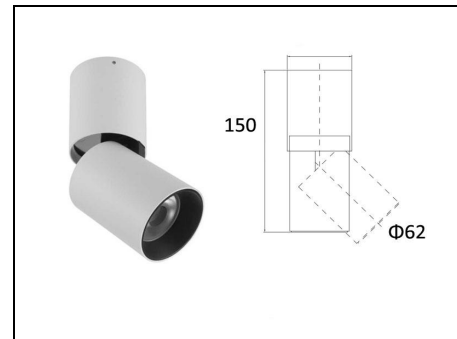
Product Name: Stretch Series LED Downlights, **Triplets**
 Model No.: ADW-DL-Stretch-3*25W
 Watt: 3*25W
 Working voltage: AC200-240V 50/60Hz
 Light source: CREE COB LED/CITIZEN COB LED
 CRI: >90
 CCT: 2700K/3000K/4000K/5000K/6500K
 Beam angle: 15°, 24°, 38°
 Lamp Head: Stretchable Rotating
 Driver: Lifud / Eaglerise (other brand on request)
 Driver can be ON.OFF, Triac dimming, 0/1-10V or Dali dimming
 Material: Die-casting aluminum
 Dimension: L345*W130*H135mm, cut-out: L335*W120mm
 Finish: Matt White, Matt Black for optional (Other colour on request)
 IP rating: IP54 grade



Product Name: Stretch Series LED Downlights, **Surface Mounted**
 Model No.: ADW-DL-Stretch-7W-SF
 Watt: 7W
 Working voltage: AC200-240V 50/60Hz
 Light source: CREE COB LED/CITIZEN COB LED
 CRI: >90
 CCT: 2700K/3000K/4000K/5000K/6500K
 Beam angle: 15°, 24°, 38°
 Lamp Head: Stretchable Rotating
 Driver: Lifud / Eaglerise (other brand on request)
 Driver can be ON.OFF, Triac dimming, 0/1-10V or Dali dimming
 Material: Die-casting aluminum
 Dimension: Φ42*H158mm
 Finish: Matt White, Matt Black for optional (Other colour on request)
 IP rating: IP54 grade

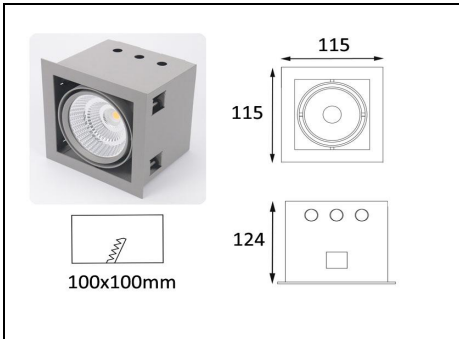


Product Name: Stretch Series LED Downlights, **Recessed**
 Model No.: ADW-DL-Stretch-7W-R
 Watt: 7W
 Working voltage: AC200-240V 50/60Hz
 Light source: CREE COB LED/CITIZEN COB LED
 CRI: >90
 CCT: 2700K/3000K/4000K/5000K/6500K
 Beam angle: 15°, 24°, 38°
 Lamp Head: Stretchable Rotating
 Driver: Lifud / Eaglerise (other brand on request)
 Driver can be ON.OFF, Triac dimming, 0/1-10V or Dali dimming
 Material: Die-casting aluminum
 Dimension: Φ55*H108mm, cut-out: Φ45mm
 Finish: Matt White, Matt Black for optional (Other colour on request)
 IP rating: IP54 grade

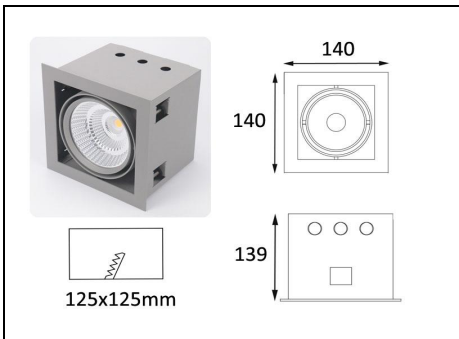


Product Name: Stretch Series LED Downlights, **Surface Mounted**
 Model No.: ADW-DL-Stretch-15W-SF
 Watt: 15W
 Working voltage: AC200-240V 50/60Hz
 Light source: CREE COB LED/CITIZEN COB LED
 CRI: >90
 CCT: 2700K/3000K/4000K/5000K/6500K
 Beam angle: 15°, 24°, 38°
 Lamp Head: Stretchable Rotating
 Driver: Lifud / Eaglerise (other brand on request)
 Driver can be ON.OFF, Triac dimming, 0/1-10V or Dali dimming
 Material: Die-casting aluminum
 Dimension: Φ62*H150mm
 Finish: Matt White, Matt Black for optional (Other colour on request)
 IP rating: IP54 grade

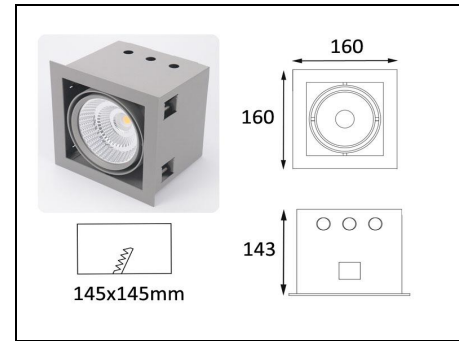
Grille Series LED Downlights



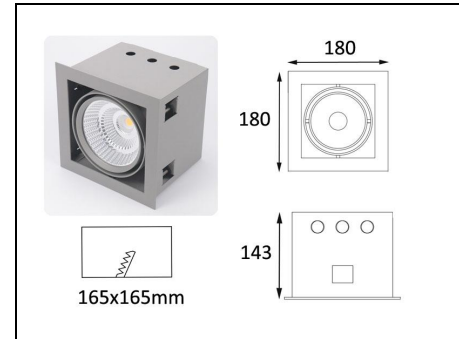
Product Name: Grille Series LED Downlights
 Model No.: ADW-DL-Grille-7W
 Watt: 7W
 Working voltage: AC200-240V 50/60Hz
 Light source: CREE COB LED/CITIZEN COB LED
 CRI: >90
 CCT: 2700K/3000K/4000K/5000K/6500K
 Beam angle: 10°, 24°, 38°, 60°
 Lamp Head: Tilttable
 Driver: Lifud / Eaglerise (other brand on request)
 Driver can be ON.OFF, Triac dimming, 0/1-10V or Dali dimming
 Material: Die-casting aluminum
 Dimension: L115*W115*H124mm, cut-out: L100*W100mm
 Finish: Matt White, Matt Black for optional (Other colour on request)
 IP rating: IP54 grade



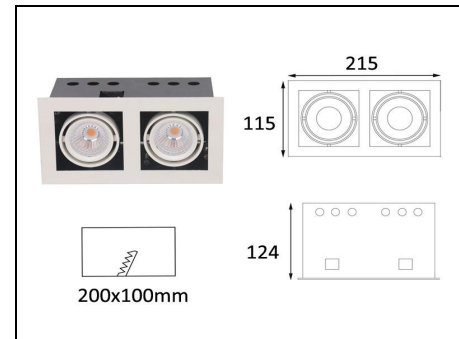
Product Name: Grille Series LED Downlights
 Model No.: ADW-DL-Grille-15W
 Watt: 15W
 Working voltage: AC200-240V 50/60Hz
 Light source: CREE COB LED/CITIZEN COB LED
 CRI: >90
 CCT: 2700K/3000K/4000K/5000K/6500K
 Beam angle: 10°, 24°, 38°, 60°
 Lamp Head: Tilttable
 Driver: Lifud / Eaglerise (other brand on request)
 Driver can be ON.OFF, Triac dimming, 0/1-10V or Dali dimming
 Material: Die-casting aluminum
 Dimension: L140*W140*H139mm, cut-out: L125*W125mm
 Finish: Matt White, Matt Black for optional (Other colour on request)
 IP rating: IP54 grade



Product Name: Grille Series LED Downlights
 Model No.: ADW-DL-Grille-20W
 Watt: 20W
 Working voltage: AC200-240V 50/60Hz
 Light source: CREE COB LED/CITIZEN COB LED
 CRI: >90
 CCT: 2700K/3000K/4000K/5000K/6500K
 Beam angle: 10°, 24°, 38°, 60°
 Lamp Head: Tilttable
 Driver: Lifud / Eaglerise (other brand on request)
 Driver can be ON.OFF, Triac dimming, 0/1-10V or Dali dimming
 Material: Die-casting aluminum
 Dimension: L160*W160*H143mm, cut-out: L145*W145mm
 Finish: Matt White, Matt Black for optional (Other colour on request)
 IP rating: IP54 grade

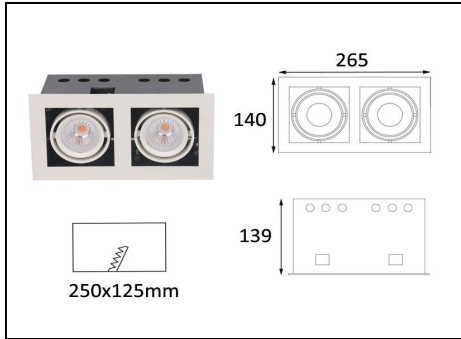


Product Name: Grille Series LED Downlights
 Model No.: ADW-DL-Grille-30W
 Watt: 30W
 Working voltage: AC200-240V 50/60Hz
 Light source: CREE COB LED/CITIZEN COB LED
 CRI: >90
 CCT: 2700K/3000K/4000K/5000K/6500K
 Beam angle: 10°, 24°, 38°, 60°
 Lamp Head: Tilttable
 Driver: Lifud / Eaglerise (other brand on request)
 Driver can be ON.OFF, Triac dimming, 0/1-10V or Dali dimming
 Material: Die-casting aluminum
 Dimension: L180*W180*H143mm, cut-out: L165*W165mm
 Finish: Matt White, Matt Black for optional (Other colour on request)
 IP rating: IP54 grade

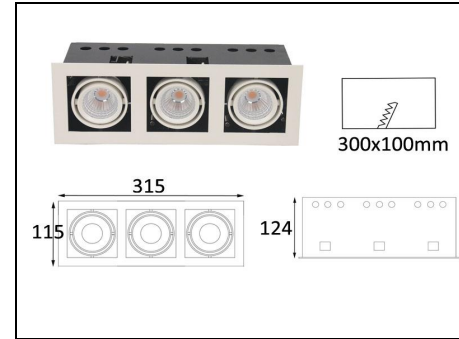


Product Name: Grille Series LED Downlights
 Model No.: ADW-DL-Grille-2*7W
 Watt: 2*7W
 Working voltage: AC200-240V 50/60Hz
 Light source: CREE COB LED/CITIZEN COB LED
 CRI: >90
 CCT: 2700K/3000K/4000K/5000K/6500K
 Beam angle: 10°, 24°, 38°, 60°
 Lamp Head: Tilttable
 Driver: Lifud / Eaglerise (other brand on request)
 Driver can be ON.OFF, Triac dimming, 0/1-10V or Dali dimming
 Material: Die-casting aluminum
 Dimension: L215*W115*H124mm, cut-out: L200*W100mm
 Finish: Matt White, Matt Black for optional (Other colour on request)
 IP rating: IP54 grade

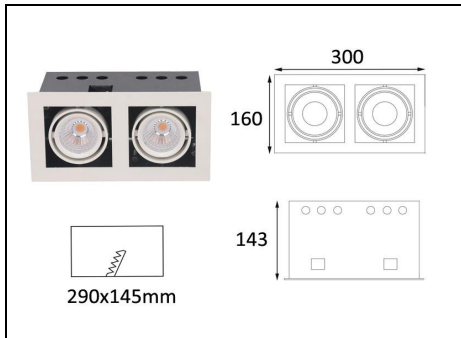
Grille Series LED Downlights



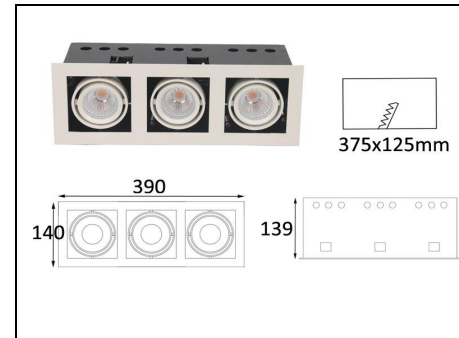
Product Name: Grille Series LED Downlights
 Model No.: ADW-DL-Grille-2*15W
 Watt: 2*15W
 Working voltage: AC200-240V 50/60Hz
 Light source: CREE COB LED/CITIZEN COB LED
 CRI: >90
 CCT: 2700K/3000K/4000K/5000K/6500K
 Beam angle: 10°, 24°, 38°, 60°
 Lamp Head: Tilttable
 Driver: Lifud / Eaglerise (other brand on request)
 Driver can be ON.OFF, Triac dimming, 0/1-10V or Dali dimming
 Material: Die-casting aluminum
 Dimension: L265*W140*H139mm, cut-out: L250*W125mm
 Finish: Matt White, Matt Black for optional (Other colour on request)
 IP rating: IP54 grade



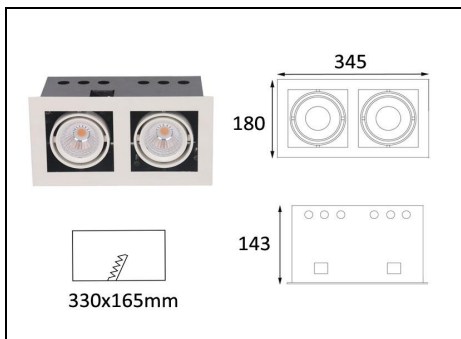
Product Name: Grille Series LED Downlights
 Model No.: ADW-DL-Grille-3*7W
 Watt: 3*7W
 Working voltage: AC200-240V 50/60Hz
 Light source: CREE COB LED/CITIZEN COB LED
 CRI: >90
 CCT: 2700K/3000K/4000K/5000K/6500K
 Beam angle: 10°, 24°, 38°, 60°
 Lamp Head: Tilttable
 Driver: Lifud / Eaglerise (other brand on request)
 Driver can be ON.OFF, Triac dimming, 0/1-10V or Dali dimming
 Material: Die-casting aluminum
 Dimension: L315*W115*H124mm, cut-out: L300*W100mm
 Finish: Matt White, Matt Black for optional (Other colour on request)
 IP rating: IP54 grade



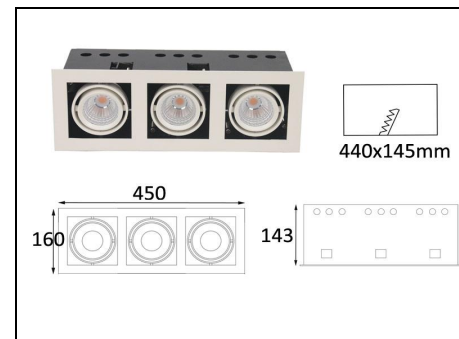
Product Name: Grille Series LED Downlights
 Model No.: ADW-DL-Grille-2*20W
 Watt: 2*20W
 Working voltage: AC200-240V 50/60Hz
 Light source: CREE COB LED/CITIZEN COB LED
 CRI: >90
 CCT: 2700K/3000K/4000K/5000K/6500K
 Beam angle: 10°, 24°, 38°, 60°
 Lamp Head: Tilttable
 Driver: Lifud / Eaglerise (other brand on request)
 Driver can be ON.OFF, Triac dimming, 0/1-10V or Dali dimming
 Material: Die-casting aluminum
 Dimension: L300*W160*H143mm, cut-out: L290*W145mm
 Finish: Matt White, Matt Black for optional (Other colour on request)
 IP rating: IP54 grade



Product Name: Grille Series LED Downlights
 Model No.: ADW-DL-Grille-3*15W
 Watt: 3*15W
 Working voltage: AC200-240V 50/60Hz
 Light source: CREE COB LED/CITIZEN COB LED
 CRI: >90
 CCT: 2700K/3000K/4000K/5000K/6500K
 Beam angle: 10°, 24°, 38°, 60°
 Lamp Head: Tilttable
 Driver: Lifud / Eaglerise (other brand on request)
 Driver can be ON.OFF, Triac dimming, 0/1-10V or Dali dimming
 Material: Die-casting aluminum
 Dimension: L390*W140*H139mm, cut-out: L375*W125mm
 Finish: Matt White, Matt Black for optional (Other colour on request)
 IP rating: IP54 grade

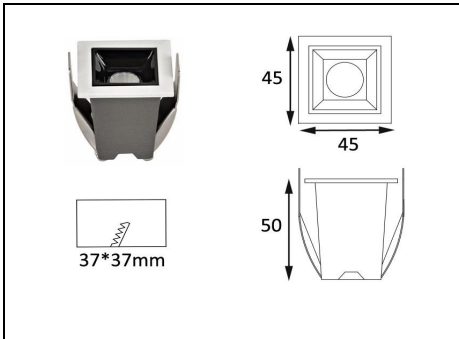


Product Name: Grille Series LED Downlights
 Model No.: ADW-DL-Grille-2*30W
 Watt: 2*30W
 Working voltage: AC200-240V 50/60Hz
 Light source: CREE COB LED/CITIZEN COB LED
 CRI: >90
 CCT: 2700K/3000K/4000K/5000K/6500K
 Beam angle: 10°, 24°, 38°, 60°
 Lamp Head: Tilttable
 Driver: Lifud / Eaglerise (other brand on request)
 Driver can be ON.OFF, Triac dimming, 0/1-10V or Dali dimming
 Material: Die-casting aluminum
 Dimension: L345*W180*H143mm, cut-out: L330*W165mm
 Finish: Matt White, Matt Black for optional (Other colour on request)
 IP rating: IP54 grade

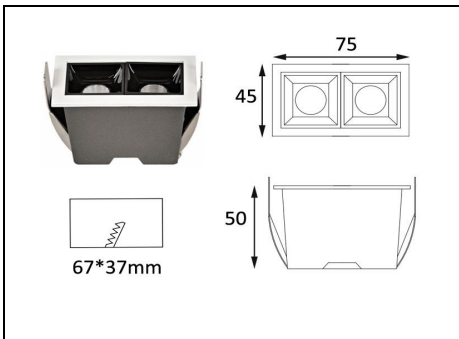


Product Name: Grille Series LED Downlights
 Model No.: ADW-DL-Grille-3*20W
 Watt: 3*20W
 Working voltage: AC200-240V 50/60Hz
 Light source: CREE COB LED/CITIZEN COB LED
 CRI: >90
 CCT: 2700K/3000K/4000K/5000K/6500K
 Beam angle: 10°, 24°, 38°, 60°
 Lamp Head: Tilttable
 Driver: Lifud / Eaglerise (other brand on request)
 Driver can be ON.OFF, Triac dimming, 0/1-10V or Dali dimming
 Material: Die-casting aluminum
 Dimension: L450*W160*H143mm, cut-out: L440*W145mm
 Finish: Matt White, Matt Black for optional (Other colour on request)
 IP rating: IP54 grade

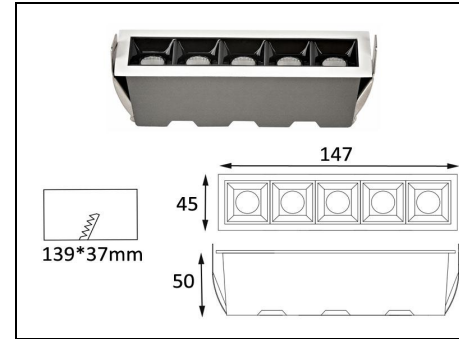
LinearA Series LED Downlights



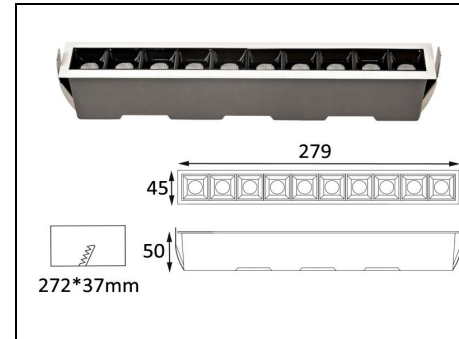
Product Name: LinearA Series LED Downlights
 Model No.: ADW-DL-LinearA-2W
 Watt: 2W
 Working voltage: AC200-240V 50/60Hz
 Light source: CREE LED/OSRAM LED
 CRI: >90
 CCT: 2700K/3000K/4000K/5000K/6500K
 Beam angle: 15°, 24°, 38°
 Lamp Head: Fixed
 Driver: Lifud / Eaglerise (other brand on request)
 Driver can be ON.OFF, Triac dimming, 0/1-10V or Dali dimming
 Material: Die-casting aluminum
 Dimension: L45*W45*H50mm, cut-out: L37*W37mm
 Finish: Matt White, Matt Black for optional (Other colour on request)
 IP rating: IP54 grade



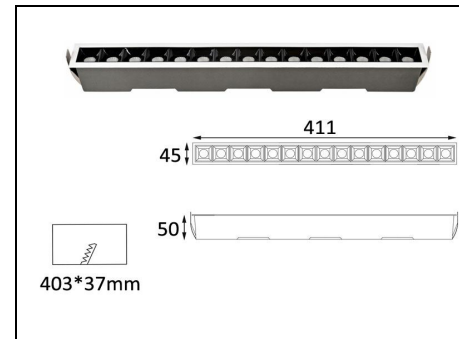
Product Name: LinearA Series LED Downlights
 Model No.: ADW-DL-LinearA-2*2W
 Watt: 2*2W
 Working voltage: AC200-240V 50/60Hz
 Light source: CREE LED/OSRAM LED
 CRI: >90
 CCT: 2700K/3000K/4000K/5000K/6500K
 Beam angle: 15°, 24°, 38°
 Lamp Head: Fixed
 Driver: Lifud / Eaglerise (other brand on request)
 Driver can be ON.OFF, Triac dimming, 0/1-10V or Dali dimming
 Material: Die-casting aluminum
 Dimension: L75*W45*H50mm, cut-out: L67*W37mm
 Finish: Matt White, Matt Black for optional (Other colour on request)
 IP rating: IP54 grade



Product Name: LinearA Series LED Downlights
 Model No.: ADW-DL-LinearA-5*2W
 Watt: 5*2W
 Working voltage: AC200-240V 50/60Hz
 Light source: CREE LED/OSRAM LED
 CRI: >90
 CCT: 2700K/3000K/4000K/5000K/6500K
 Beam angle: 15°, 24°, 38°
 Lamp Head: Fixed
 Driver: Lifud / Eaglerise (other brand on request)
 Driver can be ON.OFF, Triac dimming, 0/1-10V or Dali dimming
 Material: Die-casting aluminum
 Dimension: L147*W45*H50mm, cut-out: L139*W37mm
 Finish: Matt White, Matt Black for optional (Other colour on request)
 IP rating: IP54 grade

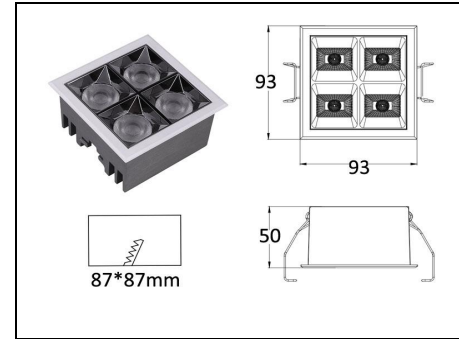


Product Name: LinearA Series LED Downlights
 Model No.: ADW-DL-LinearA-10*2W
 Watt: 10*2W
 Working voltage: AC200-240V 50/60Hz
 Light source: CREE LED/OSRAM LED
 CRI: >90
 CCT: 2700K/3000K/4000K/5000K/6500K
 Beam angle: 15°, 24°, 38°
 Lamp Head: Fixed
 Driver: Lifud / Eaglerise (other brand on request)
 Driver can be ON.OFF, Triac dimming, 0/1-10V or Dali dimming
 Material: Die-casting aluminum
 Dimension: L279*W45*H50mm, cut-out: L272*W37mm
 Finish: Matt White, Matt Black for optional (Other colour on request)
 IP rating: IP54 grade

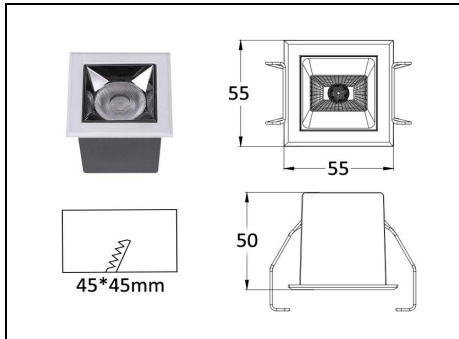


Product Name: LinearA Series LED Downlights
 Model No.: ADW-DL-LinearA-15*2W
 Watt: 15*2W
 Working voltage: AC200-240V 50/60Hz
 Light source: CREE LED/OSRAM LED
 CRI: >90
 CCT: 2700K/3000K/4000K/5000K/6500K
 Beam angle: 15°, 24°, 38°
 Lamp Head: Fixed
 Driver: Lifud / Eaglerise (other brand on request)
 Driver can be ON.OFF, Triac dimming, 0/1-10V or Dali dimming
 Material: Die-casting aluminum
 Dimension: L411*W45*H50mm, cut-out: L403*W37mm
 Finish: Matt White, Matt Black for optional (Other colour on request)
 IP rating: IP54 grade

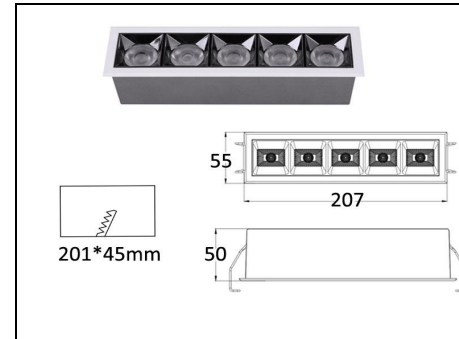
LinearB Series LED Downlights



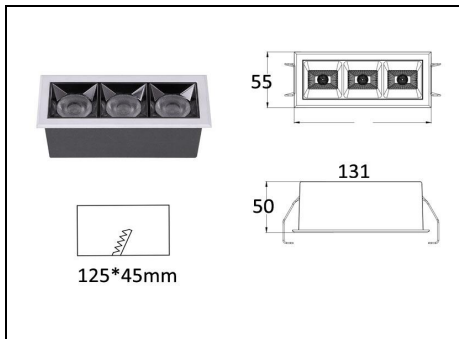
Product Name: LinearB Series LED Downlights
 Model No.: ADW-DL-LinearB-15W
 Watt: 15W
 Working voltage: AC200-240V 50/60Hz
 Light source: CREE LED/OSRAM LED
 CRI: >90
 CCT: 2700K/3000K/4000K/5000K/6500K
 Beam angle: 12°, 24°, 38°, 50°, 35°*70°, 50°*50°
 Lamp Head: Fixed
 Driver: Lifud / Eaglerise (other brand on request)
 Driver can be ON.OFF, Triac dimming, 0/1-10V or Dali dimming
 Material: Die-casting aluminum
 Dimension: L93*W93*H50mm, cut-out: L87*W87mm
 Finish: Matt White, Matt Black for optional (Other colour on request)
 IP rating: IP54 grade



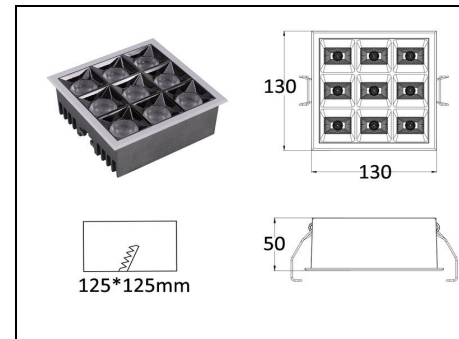
Product Name: LinearB Series LED Downlights
 Model No.: ADW-DL-LinearB-5W
 Watt: 5W
 Working voltage: AC200-240V 50/60Hz
 Light source: CREE LED/OSRAM LED
 CRI: >90
 CCT: 2700K/3000K/4000K/5000K/6500K
 Beam angle: 12°, 24°, 38°, 50°, 35°*70°, 50°*50°
 Lamp Head: Fixed
 Driver: Lifud / Eaglerise (other brand on request)
 Driver can be ON.OFF, Triac dimming, 0/1-10V or Dali dimming
 Material: Die-casting aluminum
 Dimension: L55*W55*H50mm, cut-out: L45*W45mm
 Finish: Matt White, Matt Black for optional (Other colour on request)
 IP rating: IP54 grade



Product Name: LinearB Series LED Downlights
 Model No.: ADW-DL-LinearB-20W
 Watt: 20W
 Working voltage: AC200-240V 50/60Hz
 Light source: CREE LED/OSRAM LED
 CRI: >90
 CCT: 2700K/3000K/4000K/5000K/6500K
 Beam angle: 12°, 24°, 38°, 50°, 35°*70°, 50°*50°
 Lamp Head: Fixed
 Driver: Lifud / Eaglerise (other brand on request)
 Driver can be ON.OFF, Triac dimming, 0/1-10V or Dali dimming
 Material: Die-casting aluminum
 Dimension: L207*W55*H50mm, cut-out: L201*W45mm
 Finish: Matt White, Matt Black for optional (Other colour on request)
 IP rating: IP54 grade

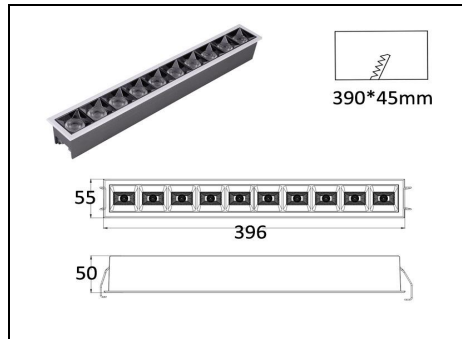


Product Name: LinearB Series LED Downlights
 Model No.: ADW-DL-LinearB-12W
 Watt: 12W
 Working voltage: AC200-240V 50/60Hz
 Light source: CREE LED/OSRAM LED
 CRI: >90
 CCT: 2700K/3000K/4000K/5000K/6500K
 Beam angle: 12°, 24°, 38°, 50°, 35°*70°, 50°*50°
 Lamp Head: Fixed
 Driver: Lifud / Eaglerise (other brand on request)
 Driver can be ON.OFF, Triac dimming, 0/1-10V or Dali dimming
 Material: Die-casting aluminum
 Dimension: L131*W55*H50mm, cut-out: L125*W45mm
 Finish: Matt White, Matt Black for optional (Other colour on request)
 IP rating: IP54 grade



Product Name: LinearB Series LED Downlights
 Model No.: ADW-DL-LinearB-36W
 Watt: 36W
 Working voltage: AC200-240V 50/60Hz
 Light source: CREE LED/OSRAM LED
 CRI: >90
 CCT: 2700K/3000K/4000K/5000K/6500K
 Beam angle: 12°, 24°, 38°, 50°, 35°*70°, 50°*50°
 Lamp Head: Fixed
 Driver: Lifud / Eaglerise (other brand on request)
 Driver can be ON.OFF, Triac dimming, 0/1-10V or Dali dimming
 Material: Die-casting aluminum
 Dimension: L130*W130*H50mm, cut-out: L125*W125mm
 Finish: Matt White, Matt Black for optional (Other colour on request)
 IP rating: IP54 grade

LinearB Series LED Downlights



Product Name: LinearB Series LED Downlights
Model No.: ADW-DL-LinearB10-40W
Watt: 40W
Working voltage: AC200-240V 50/60Hz
Light source: CREE LED/OSRAM LED
CRI: >90
CCT: 2700K/3000K/4000K/5000K/6500K
Beam angle: 12°, 24°, 38°, 50°, 35°*70°, 50°*50°
Lamp Head: Fixed
Driver: Lifud / Eaglerise (other brand on request)
Driver can be ON.OFF, Triac dimming, 0/1-10V or Dali dimming
Material: Die-casting aluminum
Dimension: L396*W55*H50mm, cut-out: L390*W45mm
Finish: Matt White, Matt Black for optional (Other colour on request)
IP rating: IP54 grade

Salo Series Surface Mounted LED Downlight



Product Name: Salo Series Surface Mounted LED Downlight
 Model No.: ADW-DL-SaloR-25W
 Watt: 25W
 Working voltage: AC200-240V 50/60Hz
 Light source: CREE LED/OSRAM LED
 CRI: >90
 CCT: 2700K/3000K/4000K/5000K/6500K
 Beam angle: 20°, 45°
 Lamp Head: Fixed
 Driver: waterproof driver
 Driver can be ON.OFF, Triac dimming, 0/1-10V or Dali dimming
 Material: Die-casting aluminum
 Dimension: Φ130*H152mm
 Finish: Matt White, Matt Black for optional (Other colour on request)
 IP rating: IP44 grade



Product Name: Salo Series Surface Mounted LED Downlight
 Model No.: ADW-DL-SaloR-9W
 Watt: 9W
 Working voltage: AC200-240V 50/60Hz
 Light source: CREE LED/OSRAM LED
 CRI: >90
 CCT: 2700K/3000K/4000K/5000K/6500K
 Beam angle: 20°, 45°
 Lamp Head: Fixed
 Driver: waterproof driver
 Driver can be ON.OFF, Triac dimming, 0/1-10V or Dali dimming
 Material: Die-casting aluminum
 Dimension: Φ90*H90mm
 Finish: Matt White, Matt Black for optional (Other colour on request)
 IP rating: IP44 grade



Product Name: Salo Series Surface Mounted LED Downlight
 Model No.: ADW-DL-SaloR-35W
 Watt: 35W
 Working voltage: AC200-240V 50/60Hz
 Light source: CREE LED/OSRAM LED
 CRI: >90
 CCT: 2700K/3000K/4000K/5000K/6500K
 Beam angle: 20°, 45°
 Lamp Head: Fixed
 Driver: waterproof driver
 Driver can be ON.OFF, Triac dimming, 0/1-10V or Dali dimming
 Material: Die-casting aluminum
 Dimension: Φ170*H185mm
 Finish: Matt White, Matt Black for optional (Other colour on request)
 IP rating: IP44 grade

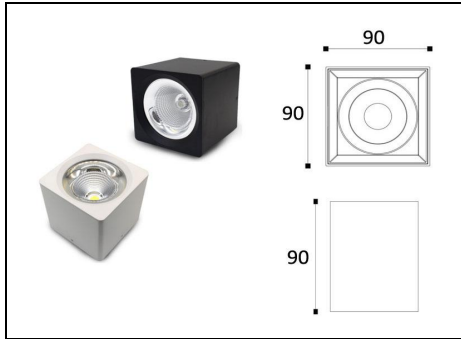


Product Name: Salo Series Surface Mounted LED Downlight
 Model No.: ADW-DL-SaloR-15W
 Watt: 15W
 Working voltage: AC200-240V 50/60Hz
 Light source: CREE LED/OSRAM LED
 CRI: >90
 CCT: 2700K/3000K/4000K/5000K/6500K
 Beam angle: 20°, 45°
 Lamp Head: Fixed
 Driver: waterproof driver
 Driver can be ON.OFF, Triac dimming, 0/1-10V or Dali dimming
 Material: Die-casting aluminum
 Dimension: Φ110*H120mm
 Finish: Matt White, Matt Black for optional (Other colour on request)
 IP rating: IP44 grade

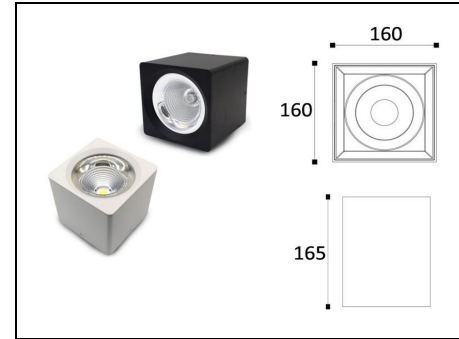


Product Name: Salo Series Surface Mounted LED Downlight
 Model No.: ADW-DL-SaloR-45W
 Watt: 45W
 Working voltage: AC200-240V 50/60Hz
 Light source: CREE LED/OSRAM LED
 CRI: >90
 CCT: 2700K/3000K/4000K/5000K/6500K
 Beam angle: 20°, 45°
 Lamp Head: Fixed
 Driver: waterproof driver
 Driver can be ON.OFF, Triac dimming, 0/1-10V or Dali dimming
 Material: Die-casting aluminum
 Dimension: Φ193*H193mm
 Finish: Matt White, Matt Black for optional (Other colour on request)
 IP rating: IP44 grade

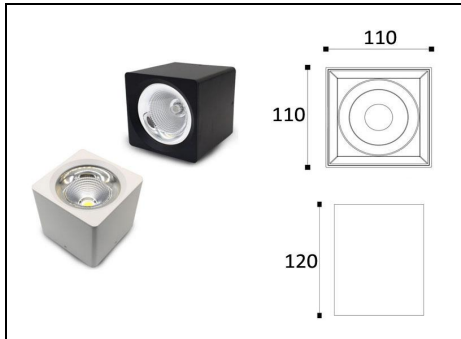
Salo Series Surface Mounted LED Downlight



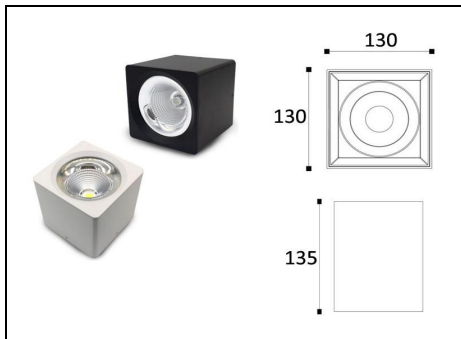
Product Name: Salo Series Surface Mounted LED Downlight
 Model No.: ADW-DL-SaloS-10W
 Watt: 10W
 Working voltage: AC200-240V 50/60Hz
 Light source: CREE LED/OSRAM LED
 CRI: >90
 CCT: 2700K/3000K/4000K/5000K/6500K
 Beam angle: 20°, 45°
 Lamp Head: Fixed
 Driver: waterproof driver
 Driver can be ON.OFF, Triac dimming, 0/1-10V or Dali dimming
 Material: Die-casting aluminum
 Dimension: L90*H90mm
 Finish: Matt White, Matt Black for optional (Other colour on request)
 IP rating: IP44 grade



Product Name: Salo Series Surface Mounted LED Downlight
 Model No.: ADW-DL-SaloS-40W
 Watt: 40W
 Working voltage: AC200-240V 50/60Hz
 Light source: CREE LED/OSRAM LED
 CRI: >90
 CCT: 2700K/3000K/4000K/5000K/6500K
 Beam angle: 20°, 45°
 Lamp Head: Fixed
 Driver: waterproof driver
 Driver can be ON.OFF, Triac dimming, 0/1-10V or Dali dimming
 Material: Die-casting aluminum
 Dimension: L160*H165mm
 Finish: Matt White, Matt Black for optional (Other colour on request)
 IP rating: IP44 grade

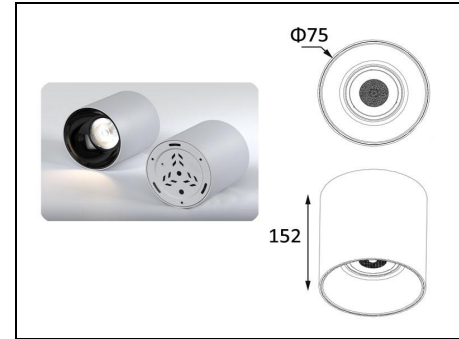


Product Name: Salo Series Surface Mounted LED Downlight
 Model No.: ADW-DL-SaloS-20W
 Watt: 20W
 Working voltage: AC200-240V 50/60Hz
 Light source: CREE LED/OSRAM LED
 CRI: >90
 CCT: 2700K/3000K/4000K/5000K/6500K
 Beam angle: 20°, 45°
 Lamp Head: Fixed
 Driver: waterproof driver
 Driver can be ON.OFF, Triac dimming, 0/1-10V or Dali dimming
 Material: Die-casting aluminum
 Dimension: L110*H120mm
 Finish: Matt White, Matt Black for optional (Other colour on request)
 IP rating: IP44 grade

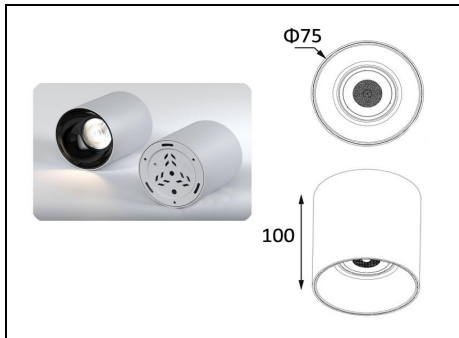


Product Name: Salo Series Surface Mounted LED Downlight
 Model No.: ADW-DL-SaloS-30W
 Watt: 30W
 Working voltage: AC200-240V 50/60Hz
 Light source: CREE LED/OSRAM LED
 CRI: >90
 CCT: 2700K/3000K/4000K/5000K/6500K
 Beam angle: 20°, 45°
 Lamp Head: Fixed
 Driver: waterproof driver
 Driver can be ON.OFF, Triac dimming, 0/1-10V or Dali dimming
 Material: Die-casting aluminum
 Dimension: L130*H135mm
 Finish: Matt White, Matt Black for optional (Other colour on request)
 IP rating: IP44 grade

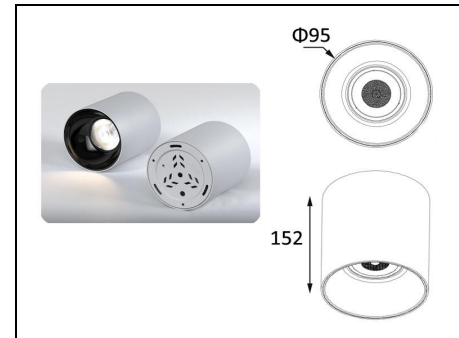
Waso Series Surface Mounted LED Downlight (IP65)



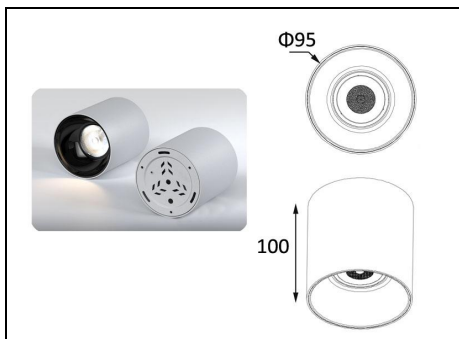
Product Name: Waso Series Surface Mounted LED Downlight
 Model No.: ADW-DL-Waso-15W-2
 Watt: 15W
 Working voltage: AC200-240V 50/60Hz
 Light source: CREE LED/OSRAM LED
 CRI: >90
 CCT: 2700K/3000K/4000K/5000K/6500K
 Beam angle: 20°, 40°
 Lamp Head: Fixed
 Driver: waterproof driver
 Driver can be ON.OFF, Triac dimming, 0/1-10V or Dali dimming
 Material: Die-casting aluminum
 Dimension: $\Phi 75 \times H152\text{mm}$
 Finish: Matt White, Matt Black for optional (Other colour on request)
 IP rating: IP65 grade



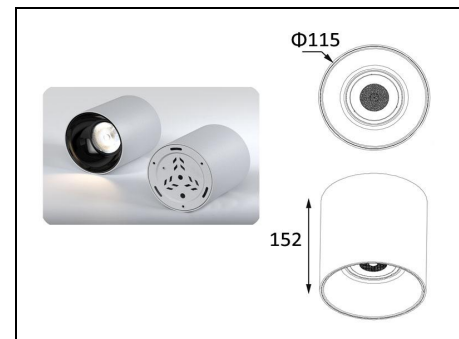
Product Name: Waso Series Surface Mounted LED Downlight
 Model No.: ADW-DL-Waso-10W
 Watt: 10W
 Working voltage: AC200-240V 50/60Hz
 Light source: CREE LED/OSRAM LED
 CRI: >90
 CCT: 2700K/3000K/4000K/5000K/6500K
 Beam angle: 20°, 40°
 Lamp Head: Fixed
 Driver: waterproof driver
 Driver can be ON.OFF, Triac dimming, 0/1-10V or Dali dimming
 Material: Die-casting aluminum
 Dimension: $\Phi 75 \times H100\text{mm}$
 Finish: Matt White, Matt Black for optional (Other colour on request)
 IP rating: IP65 grade



Product Name: Waso Series Surface Mounted LED Downlight
 Model No.: ADW-DL-Waso-20W
 Watt: 20W
 Working voltage: AC200-240V 50/60Hz
 Light source: CREE LED/OSRAM LED
 CRI: >90
 CCT: 2700K/3000K/4000K/5000K/6500K
 Beam angle: 20°, 40°
 Lamp Head: Fixed
 Driver: waterproof driver
 Driver can be ON.OFF, Triac dimming, 0/1-10V or Dali dimming
 Material: Die-casting aluminum
 Dimension: $\Phi 95 \times H152\text{mm}$
 Finish: Matt White, Matt Black for optional (Other colour on request)
 IP rating: IP65 grade

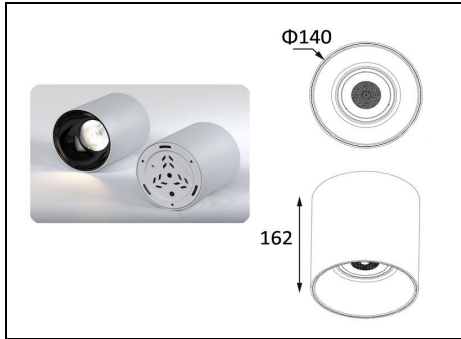


Product Name: Waso Series Surface Mounted LED Downlight
 Model No.: ADW-DL-Waso-15W-1
 Watt: 15W
 Working voltage: AC200-240V 50/60Hz
 Light source: CREE LED/OSRAM LED
 CRI: >90
 CCT: 2700K/3000K/4000K/5000K/6500K
 Beam angle: 20°, 40°
 Lamp Head: Fixed
 Driver: waterproof driver
 Driver can be ON.OFF, Triac dimming, 0/1-10V or Dali dimming
 Material: Die-casting aluminum
 Dimension: $\Phi 95 \times H100\text{mm}$
 Finish: Matt White, Matt Black for optional (Other colour on request)
 IP rating: IP65 grade

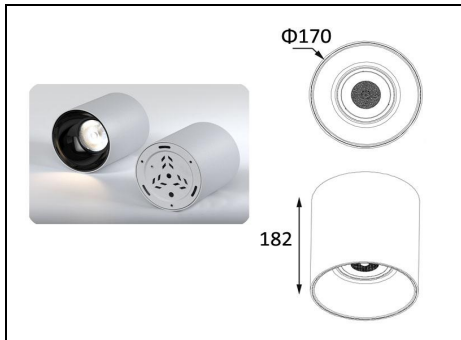


Product Name: Waso Series Surface Mounted LED Downlight
 Model No.: ADW-DL-Waso-30W
 Watt: 30W
 Working voltage: AC200-240V 50/60Hz
 Light source: CREE LED/OSRAM LED
 CRI: >90
 CCT: 2700K/3000K/4000K/5000K/6500K
 Beam angle: 20°, 40°
 Lamp Head: Fixed
 Driver: waterproof driver
 Driver can be ON.OFF, Triac dimming, 0/1-10V or Dali dimming
 Material: Die-casting aluminum
 Dimension: $\Phi 115 \times H152\text{mm}$
 Finish: Matt White, Matt Black for optional (Other colour on request)
 IP rating: IP65 grade

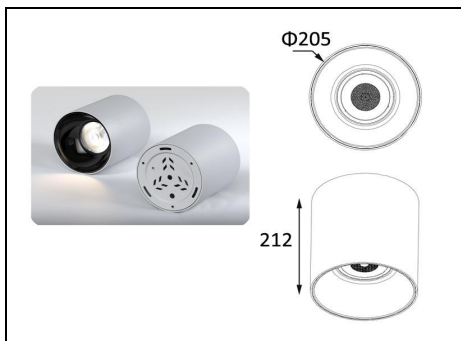
Waso Series Surface Mounted LED Downlight (IP65)



Product Name: Waso Series Surface Mounted LED Downlight
Model No.: ADW-DL-Waso-40W
Watt: 40W
Working voltage: AC200-240V 50/60Hz
Light source: CREE LED/OSRAM LED
CRI: >90
CCT: 2700K/3000K/4000K/5000K/6500K
Beam angle: 20°, 40°
Lamp Head: Fixed
Driver: waterproof driver
Driver can be ON.OFF, Triac dimming, 0/1-10V or Dali dimming
Material: Die-casting aluminum
Dimension: Φ140*H162mm
Finish: Matt White, Matt Black for optional (Other colour on request)
IP rating: IP65 grade



Product Name: Waso Series Surface Mounted LED Downlight
Model No.: ADW-DL-Waso-50W
Watt: 50W
Working voltage: AC200-240V 50/60Hz
Light source: CREE LED/OSRAM LED
CRI: >90
CCT: 2700K/3000K/4000K/5000K/6500K
Beam angle: 20°, 40°
Lamp Head: Fixed
Driver: waterproof driver
Driver can be ON.OFF, Triac dimming, 0/1-10V or Dali dimming
Material: Die-casting aluminum
Dimension: Φ170*H182mm
Finish: Matt White, Matt Black for optional (Other colour on request)
IP rating: IP65 grade



Product Name: Waso Series Surface Mounted LED Downlight
Model No.: ADW-DL-Waso-60W
Watt: 60W
Working voltage: AC200-240V 50/60Hz
Light source: CREE LED/OSRAM LED
CRI: >90
CCT: 2700K/3000K/4000K/5000K/6500K
Beam angle: 20°, 40°
Lamp Head: Fixed
Driver: waterproof driver
Driver can be ON.OFF, Triac dimming, 0/1-10V or Dali dimming
Material: Die-casting aluminum
Dimension: Φ205*H212mm
Finish: Matt White, Matt Black for optional (Other colour on request)
IP rating: IP65 grade

Lighting control

Lighting control allows the lighting of a space to be adjusted to meet changing uses and environmental conditions. A light scene is created for each different use, i.e. a specific pattern of switching and dimming for each circuit. The light scene can be stored electronically and recalled at the touch of a button.

Dimmer

Regulating device for varying the luminous intensity of a light source. Generally in the form of a loss-free leading edge dimmer. Conventional dimmers can be used without problems for incandescent lamps run on mains voltage. Dimmers for fluorescent lamps and low-voltage lamps are technically more complicated; the dimming of high-pressure discharge lamps is technically possible, but it is also costly and is not often provided.

Step Dimming

Dimming method that uses incremental and fixed lighting levels, as opposed to gradual dimming from OFF to 100% output. See Dimmer.

Direct switch control

There are no separate controllers or control systems. Simple spring switches or pull switches are used in the control system. The control circuit has only one or two wires. Several manufacturers produce these solutions. Some of the electronic control gears are controlled via the L line, some via the N line, and some via both. The control switch must not be equipped with a signal light. The number of electronic ballasts varies between manufacturers (in the same group).

Leading & Trailing Edge Dimming

Before LEDs, we used to dim halogen lamps with wall dimmers. We can still use these kinds of dimmers. But dimmer, driver and LED-module must be compatible with each other. This type of control is accomplished without any need for an additional control wire. It involves connecting a dimmer in series between one of the mains wire and the equipment. The dimmer cuts part of the mains voltage sinusoidal waveform to a greater or lesser extent in order to dim luminous flux even from 1% to 100% (this value depends on dimmer and driver). Depending on how the driver makes the mains voltage cut, it is possible to distinguish between two types of dimming.

1-10V Dimming

The 1-10V system enables dimming of the luminous flux from around 1...10% to 100%. This is done by sending an analogue signal to the equipment over an additional, two-wire control line. These control wires have positive and negative polarities respectively and that must be kept in mind when wiring up the system. The analogue signal has a direct voltage value of 1V to 10V. 1V or short-circuiting the fixture's input control gives the minimum light level. While 10V or leaving the input control circuit open gives out the maximum light level. International standard, IEC 60929, defines the regulation curve. The regulation curve represents the relationship between the control line voltage and the luminous flux. It reflects a practically linear relationship in the range of 3V to 10V.

Touch Control Push Button Dimming (analogue but can be connected to digital systems)

Touch Control is a system that enables the simple and economic dimming of luminous flux. It uses the mains voltage as a control signal, applying it with a standard push button on a control line, without any need for specific controllers. The Touch Control system enables you to carry out the basic functions of a regulation system with a power-free pushbutton. Depending on how long the button is pressed it is possible to switch the light on or off or dim it. Switching the light on or off is done by short, sharp pressing or "click". If the button is pressed for a long time it is possible to dim the luminous flux between the maximum and minimum levels alternately.

PWM Dimming

PWM stands for pulse width modulation. This is just a fancy term for a certain type of digital signal. Pulse width modulation is used in a variety of applications, but here we use it to control and dim LED lights. PWM offers a full range of brightness by varying how much time the signal is high (ON) or low (OFF). The signal from PWM can only be ON or OFF at any given time. This means the LEDs will be receiving the full voltage, or receive no power at all. This is different from analog dimming as analog dimming varies the output power to dim the LEDs (i.e. providing 10V instead of 12V to alter brightness).

DALI Dimming

As revealed by the meaning of its acronym, Digital Addressable Lighting Interface, DALI is a digital and addressable communication interface for lighting systems. This is an international standard system in accordance with IEC 62386, which ensures compatibility and interchangeability between different manufacturers' equipment marked with the DALI logo: It is a bi-directional dimming interface with a master-slave structure. The information flows from a controller, which operates as the master, to the control gears that only operate as slaves. The latter carries out the orders or responds to the information requests received. Digital signals are transmitted over a bus or two-wire control wire. These control wires can be negatively and positively polarized, though the majority control gears are designed polarity free to make connection indifferent.

DMX512 Dimming

A standard protocol for digital communication. Commonly used to control stage lighting and theatrical effects (ex: moving lights, color changing lights, fog machines, etc.) Also commonly used for color changing LED applications. There are 512 eight-bit channels. The appliance being controlled uses one or more DMX channels. A three-pin XLR connector is used. These systems are commonly used in theatre lighting. There are several possible control methods, including lighting consoles and programs. This option is well suited to RGB control of LEDs.

Driver

Piece of electronic equipment that transforms the main supply voltage into a lower DC voltage that is appropriate for LED lighting. Some LED lamps have a built-in driver, while others require one to be connected externally, just like the ballasts used by fluorescent and HID lamps.

Power Factor (PF)

Ratio of real power to apparent power drawn by lighting fixtures and other electrical devices. The real power is represented by the actual watts consumed, while the apparent power is the multiplication product of voltage and current, measured in volt-amperes. Electric utility companies normally apply additional charges if the power factor of a building drops below a specified level.

Flicker

A phenomenon where a lamp blinks repeatedly, often caused by power supply issues, or a faulty ballast or driver.



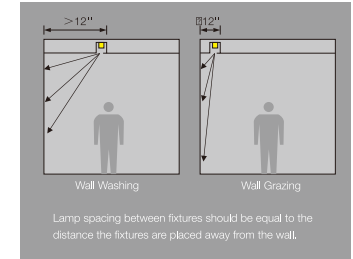
Efficiency

Conversion ratio between lighting power output and electric power input, measuring both quantities in watts. Not to be confused with efficacy, which describes the ratio between lumen output and watts consumed.

Since lumens describe lighting output better than watts, efficacy tends to be a much more useful concept in lighting design.

Wall Grazing

Lighting effect where a wall with an irregular surface is illuminated so that there are both highlighted and shaded areas. This effect is only possible on walls with granular surfaces, such as those built from stone or exposed brick. The opposite effect is wall washing.



Wall Washing

Lighting effect where a wall is illuminated so that surface irregularities are minimized, it seem smoother. The opposite effect is wall grazing.

Emergency Lighting

Lighting designed to provide visibility when the normal lighting system fails, for example during blackouts. Emergency lighting is equipped with batteries, allowing it to operate long enough for a building to be evacuated.

Trimless Installation



1. Cut a mounting hole in the ceiling board, according to the measurements provided.



2. Place the embedded trim into the ceiling board and turn screws through the perforated embedded trim.



3. Apply the plaster onto the embedded trim and the ceiling board. Make sure the side openings as smooth and exquisite as possible, after painting.



4. Connect the driver to the mains supply.



5. Insert the fixture into the embedded trim, until you hear a 'click'. Then, switch on/h on.

Symbol



Manufacturer's declaration that the product meets the applicable EC directives.



The CRI value of this product is 80 or higher.



Operating voltage of 24 V DC.



Electrical appliance class I:
exposed metal chassis is connected to electrical earth by a separate earth conductor.



Electrical appliance class II:
Double insulated device, no connection to electrical earth required to reach electrical safety.



Electrical appliance class III:
This product is designed to be supplied from an extra-low voltage (≤ 60.0 V DC or ≤ 42.4 V AC).



Product uses infrared signals for communication.



Safety Extra-Low Voltage (SELV):
The secondary circuit of this product is designed so that under normal and single fault conditions (including earth fault in other circuits) the output will not exceed SELV safe level (60.0 V DC and 42.4 V AC).



The lamp controlgear case temperature at any place shall not exceed the marked 110°



The luminaire is not suitable for covering with thermal insulation material.



Suitable for installing on or near furniture which is made from materials with unknown flammability proper ties



A LED luminaire with triple diodes (red, green and blue on one diode). RGB LED luminaire combine these three colors to produce over 16 million hues of light.



A LED luminaire with quadruple diodes (red, green, blue and white on one diode)

IP Rating Chart

IP rating are represented by combining the first and second digits of the following columns. See example below.

1st Digit-SOLID

Degree of protection against solid objects

No Protection



Protected against a solid object greater than 50 mm, such as a hand.



Protected against a solid object greater than 12.5 mm, such as a finger.



Protected against a solid object greater than 2.5 mm, such as a wire.



Protected against a solid object greater than 1.0mm, such as a thin strap.



Dust Protected. Prevents ingress of dust sufficient to cause harm.



Dust tight. No ingress of dust.



2nd Digit-LIQUID

Degree of protection against water

No Protection



Protected against water drops.



Protected against water drops at a 15 degree angle.



Protected against water spray at 60 degree angle.



Protected against water splashing from any angle.



Protected against water jets from any angle.



Protected against powerful water jets and heavy seas.



Protected against the effects of temporary submersion in water. (30 minutes at 3 feet)



Protected against the effects of permanent submersion in water. (up to 13 feet)



Examples of IP rating and Uses

- Low IP ratings are appropriate for :
Indoor use- Protected use inside sealed products
Inside sealed signage
When using aluminum extrusions

- High IP ratings are appropriate for :
Unsealed outdoor locations
Places that have a lot of debris
Areas with heavy foot traffic
High splash areas
High contact areas (people touching them)
Wet locations