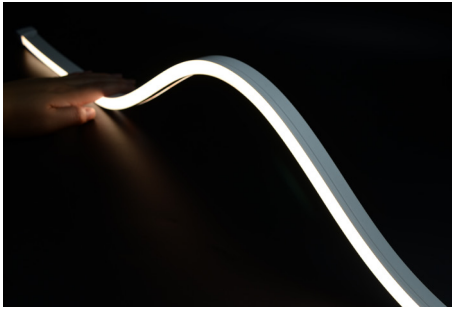


1220-IP68

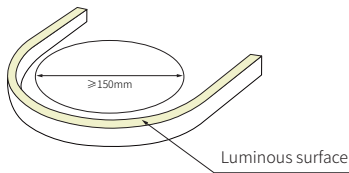
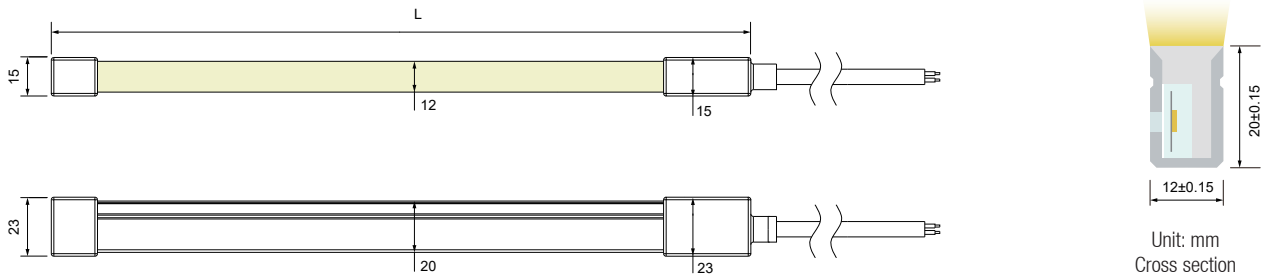
Side Bend

1220 LED Neon Strip Light for Swimming Pools

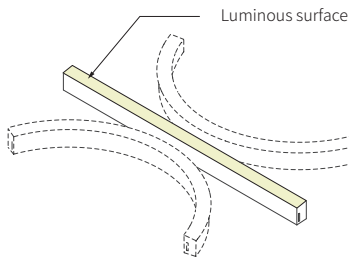


- It is made of Dow Chemical SILASTIC™ ET-7021 silicone rubber, which provides high transparency and high strength.
- Environmental protection grade silicone material, integrated extrusion molding process.
- Unique optical light distribution structure design, uniform lighting surface and no shadow.
- IP68 protection level, salt solution resistance, acids & alkalis and UV resistance.
- Chlorination resistant, it can be used in underwater environment, such as swimming pool;
- Excellent toughness, simple and stylish appearance, delicate and unique
- 3 years warranty, working life ≥ 30000 hours;

Dimension structure



Min Bending diameter



Bend vertical only

Electrical Parameter

| Voltage | LED Pin Temperature | Storage Temperature | Ambient Temperature | CRI |
|---------|---------------------|---------------------|-------------------------------|-----------|
| DC24V | Max. 65°C | -25°C~ 60°C | Min.-25°C Max(Table below) | ≥ 90 |

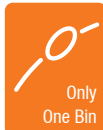
Specification

| Power(w/m) | Efficacy(lm/w)@4000K | Max Ambient Temperature |
|------------|----------------------|-------------------------|
| 10 w/m | 27.2 lm/w | 45°C |

Due to the tolerance of the production and electrical components, output value and electrical power can vary up to 10%

Length Standard

| Length Range (M) | Final Length | | Tolerance (mm) |
|----------------------|--------------------------|-----------------------|----------------|
| | Outlet from one end only | Outlet from both ends | |
| 0M<Neon Strip(L)≤5M | L+19 | L+30 | ±9 |
| 5M<Neon Strip(L)≤10M | L+19 | L+30 | ±13 |



- The maximum series length refers to the maximum single end power supply length of the constant current strip under the condition of standard 3M wire.
- The given color temperature is the temperature of finished product.
- The given data are typical values due to the tolerances of the production process and the electrical components, values for light output and electrical power can vary up to 10%.
All products can be dimmed; the dimmer's voltage should conform to the rated voltage of the led light.
The output frequency of the dimmer of the constant-current led light should be less than 2K Hz, and the output PWM can control the led light.
- This product is limited to complete the customized length by the factory. It is not recommended for users to cut and use. After self-cutting and processing, it will not reach the IP68 protection level, and there is a risk of water damage when applied to the water bottom.
- The custom length must be an integral multiple of the unit length.

Single color (Lm/m)

| CCT(K) | CRI | Voltage | Power (W) | Lumen (LM/M) | Efficiency (LM/W) | Unit Length (mm) | Max Run Length (M) | CC/CV |
|-----------|-----|---------|-----------|--------------|-------------------|------------------|--------------------|-------|
| 2400K±150 | ≥90 | DC24V | 10 | 290 | 29 | 50 | 15 (CC) | CC/CV |
| 2600K±150 | ≥90 | DC24V | 10 | 242 | 24.2 | 50 | 15 (CC) | CC/CV |
| 3000K±150 | ≥90 | DC24V | 10 | 285 | 28.5 | 50 | 15 (CC) | CC/CV |
| 4200K±300 | ≥90 | DC24V | 10 | 272 | 27.2 | 50 | 15 (CC) | CC/CV |
| 6000K±400 | ≥90 | DC24V | 10 | 281 | 28.1 | 50 | 15 (CC) | CC/CV |
| Red | -- | DC24V | 10 | 139 | 13.9 | 50 | 15 (CC) | CC/CV |
| Green | -- | DC24V | 10 | 275 | 27.5 | 50 | 15 (CC) | CC/CV |
| Blue | -- | DC24V | 10 | 53.5 | 5.4 | 50 | 15 (CC) | CC/CV |
| Yellow | -- | DC24V | 10 | 113 | 11.3 | 50 | 15 (CC) | CC/CV |
| Orange | -- | DC24V | 10 | 122 | 12.2 | 50 | 15 (CC) | CC/CV |
| Pink | -- | DC24V | 10 | 242 | 24.2 | 50 | 15 (CC) | CC/CV |

*Remarks: the maximum production length is 10m/pcs.

CCT Tunable (Lm/m)

| CCT(K) | CRI | Voltage | Power (W) | Lumen (LM/M) | Efficiency (LM/W) | Unit Length (mm) | Max Run Length (M) | CC/CV |
|-----------|-----|---------|-----------|--------------|-------------------|------------------|--------------------|-------|
| 2600K±150 | ≥90 | DC24V | 5 | 140 | 28 | 62.5 | 5 | CV |
| 6000K±400 | ≥90 | DC24V | 5 | 145 | 29 | 62.5 | 5 | CV |
| 3900K±300 | ≥90 | DC24V | 10 | 285 | 28.5 | 62.5 | 5 | CV |

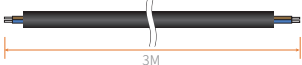

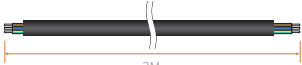


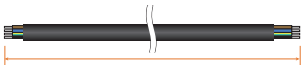

RGB (Lm/m)

| CCT(K) | CRI | Voltage | Power (W) | Lumen (LM/M) | Efficiency (LM/W) | Unit Length (mm) | Max Run Length (M) | CC/CV |
|--------|-----|---------|-----------|--------------|-------------------|------------------|--------------------|-------|
| R | -- | DC24V | 3.3 | 36 | 11 | 83.33 | 5 | CV |
| G | -- | DC24V | 3.3 | 130 | 39.3 | 83.33 | 5 | CV |
| B | -- | DC24V | 3.3 | 24 | 7.4 | 83.33 | 5 | CV |
| RGB | -- | DC24V | 10 | 190 | 19 | 83.33 | 5 | CV |

Digital RGB

| Voltage | Power(W) | CCT(K) | Lumen (LM/M) | Efficiency (LM/W) | Pixel (PCS) | Signal Type | IC Model | Unit Length (mm) |
|---------|----------|--------|--------------|-------------------|-------------|-------------|----------|------------------|
| DC24V | 4.8 | R | 22 | 4.57 | 8 | SPI | UCS1903 | 125 |
| | 4.8 | G | 70 | 14.9 | | | | |
| | 4.8 | B | 12 | 2.6 | | | | |
| | 11.5 | RGB | 99 | 8.9 | | | | |

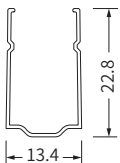
Cable Type

| Cable Type | Schematic Diagram | Specification | Core | Electrical Properties |
|---------------|-----------------------------------------------------------------------------------|---------------|------------------------------------------------------------------------------------|-------------------------------------------------------|
| |  | OD: 6.3mm |  | Brown V+, Blue V- |
| Rubber Cables |  | OD: 6.8mm |  | Dual-White: Brown V+, Blue W, Yellow-Green WW |
| | | OD: 6.8mm |  | Digital RGB: Brown V+, Blue V-, Yellow-Green DI/DO |
| |  | OD: 7.5mm |  | Brown V+, Blue B, Yellow-Green G, Black R |

⚠ Do not immerse the power cable connection in water. Otherwise, there is a risk of short circuit !

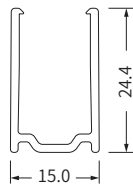
Mounting Way

Mounting Clips



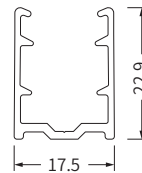
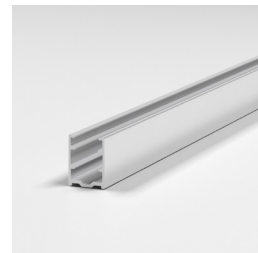
Dimension:
20x13.4x22.84mm
Accessories:
Screw M3x15mm

PC Profile



Dimension:
1000(±5)x15.0x24.4mm
Accessories:
Screw M3x15mm

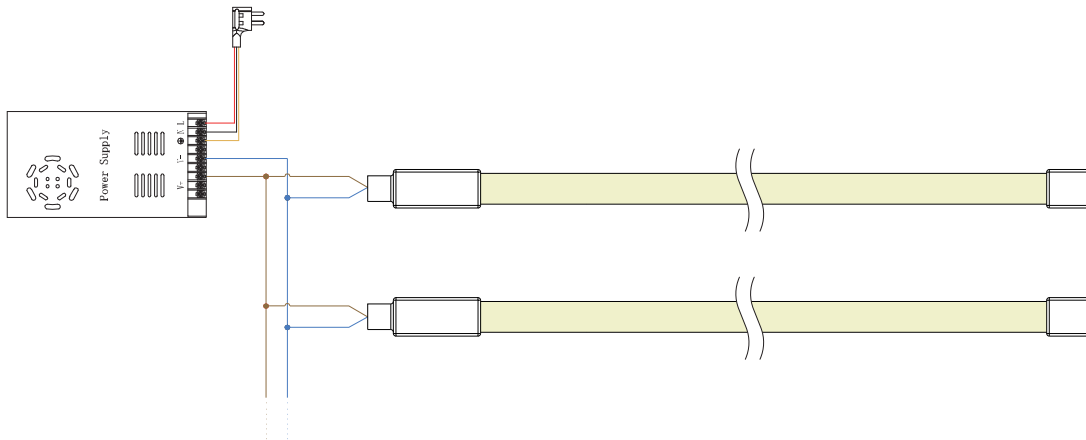
Aluminium Profile



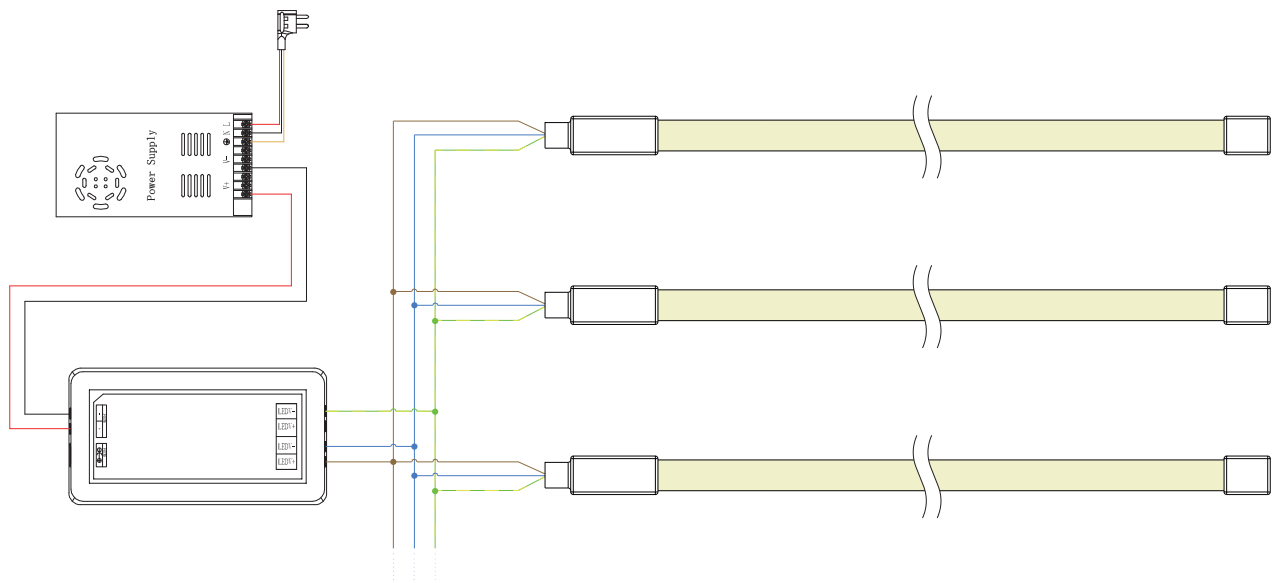
Dimension:
1000(±5)x17.5x22.9mm
Accessories:
Screw M3x15mm

⚠ Aluminum profiles cannot be used in swimming pools.

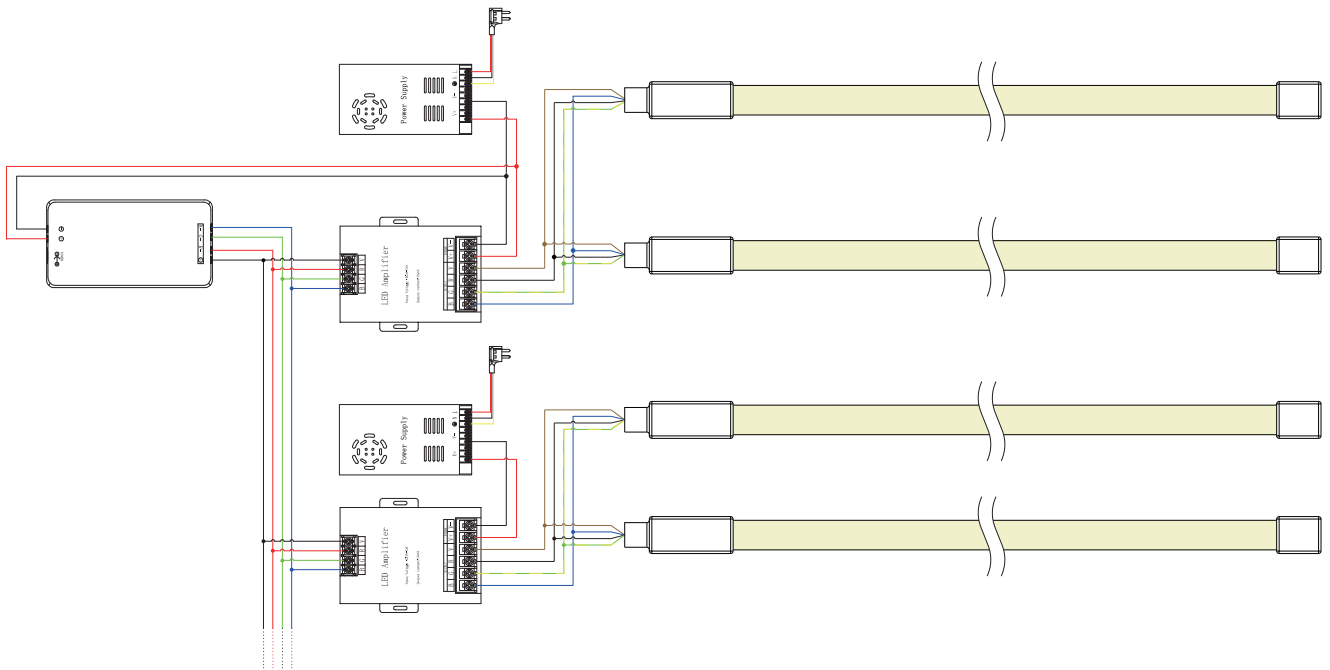
Single Color Connection Diagram



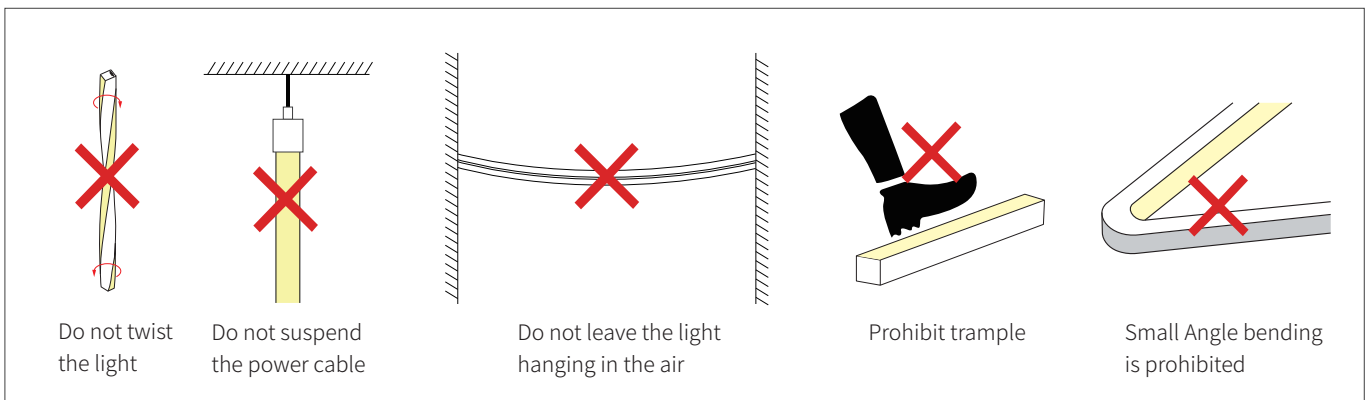
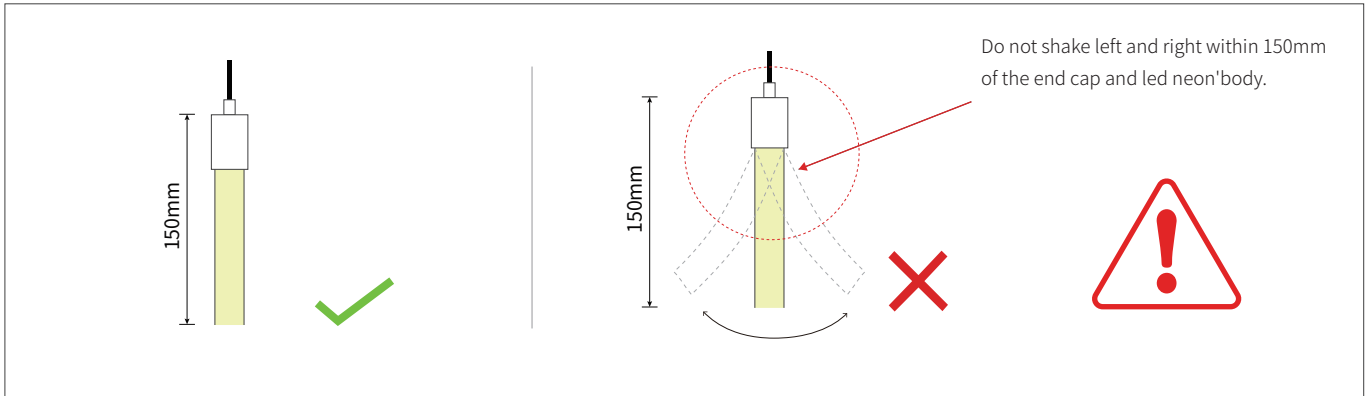
Tunable white Connection Diagram



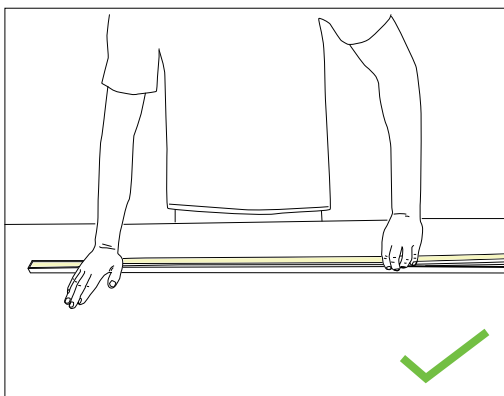
RGB Connection Diagram



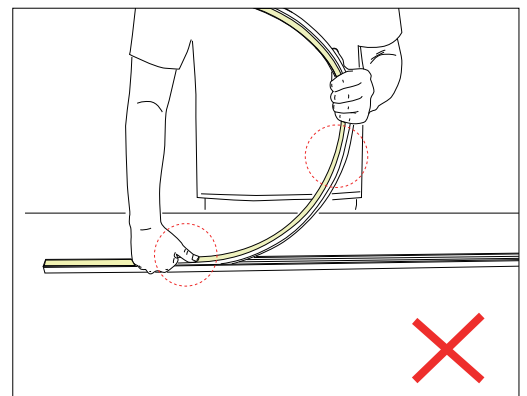
Installation Precautions



Put it in the profile

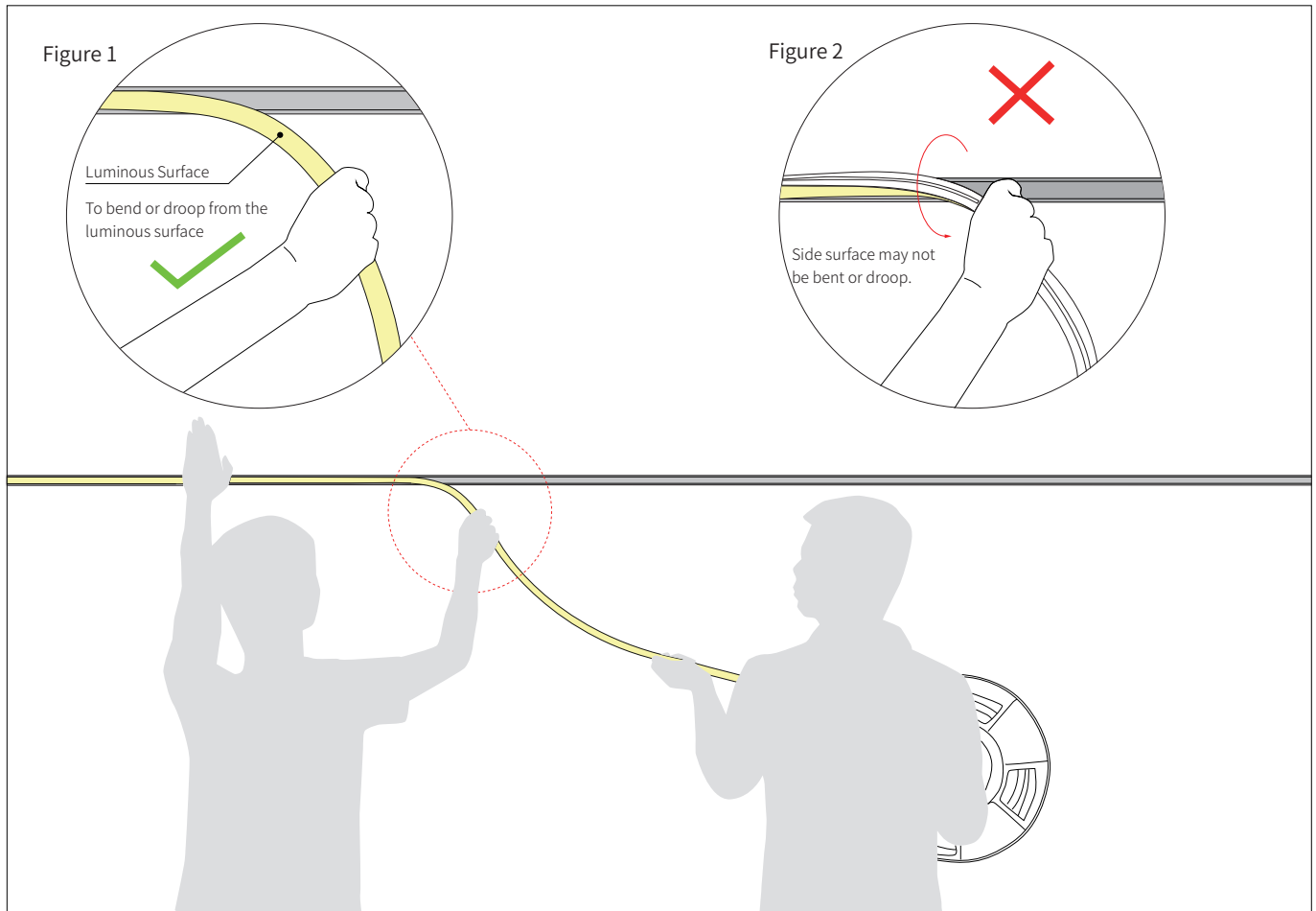


- Please press the led strip with your palm to slowly insert the led strip into the groove, and gently straighten the led strip above the groove with your right hand.
- Try to keep the led strip in a flat state during the installation process.



- Do not press the led strip with a single finger, it is easy to damage the internal parts of the led strip.
- The bent arc of the led strip should not be too large during installation.

Installation Precautions -- Side Mounted (If the length of the light is more than 2 meters, two persons must work together to install it.)



1. Installer:

- Press the light with the palm of the left hand to slowly load it into the slot. Straighten the light with right hand so that it droop in the direction of your hand. See Figure 1.
- Side surface may not be bent or droop, See Figure 2.

2. Assistant:

- Cooperate with the installer to lift the reel of the light, and then slowly deliver the light to installer. Do not pull or twist the light during the installation.

Installation Precautions -- Side Mounted (If the length of the light is more than 5 meters, two persons must work together to install it.)

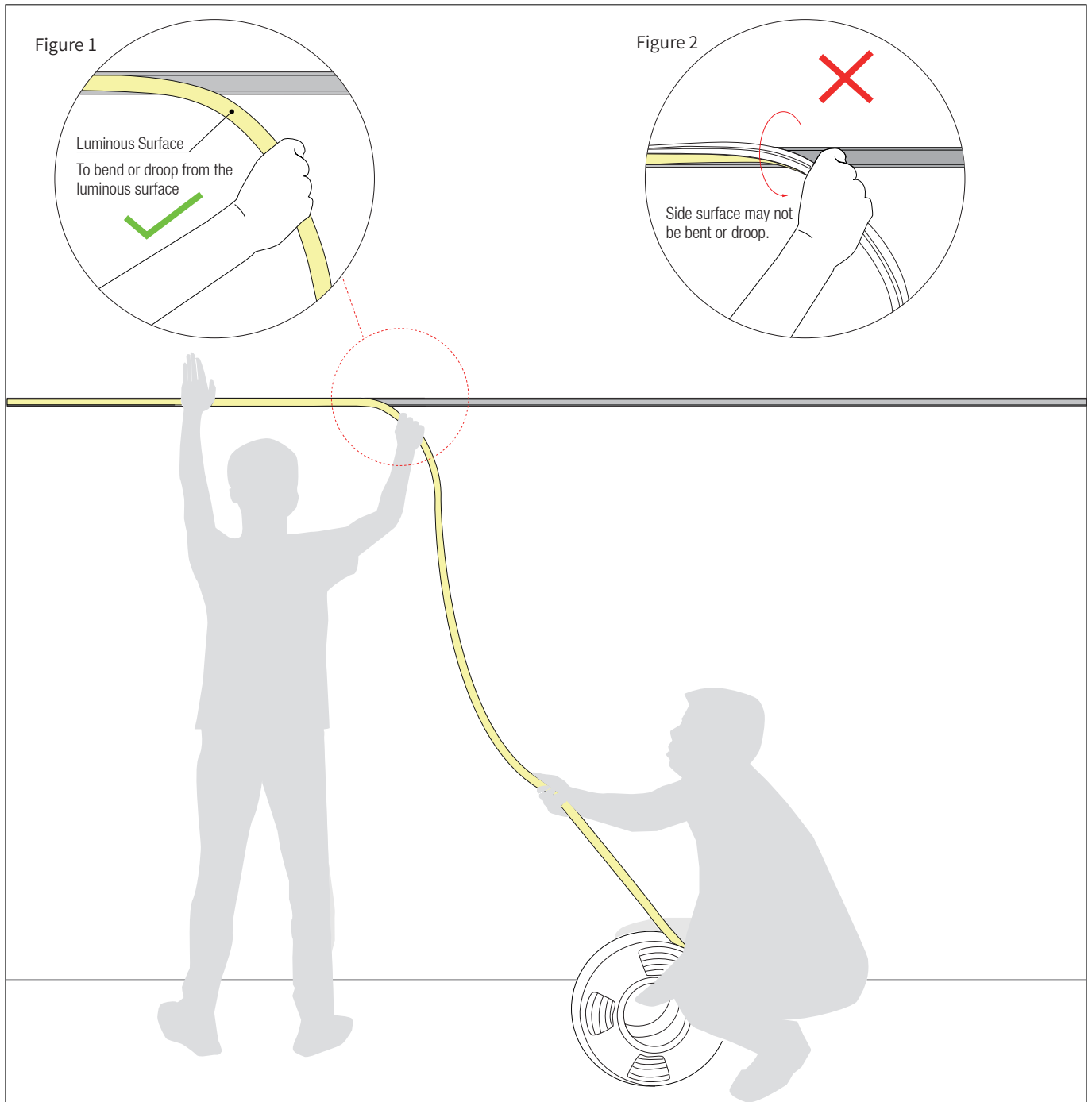


Figure 1

Luminous Surface
To bend or droop from the luminous surface

Figure 2

Side surface may not be bent or droop.

1.Installer:

- Press the light with the palm of the left hand to slowly load it into the slot. Straighten the light with right hand so that it droop it in the direction of your hand. See Figure 1.
- Side surface may not be bent or droop, See Figure 2.

2.Assistant:

- Cooperate with the installer to slowly deliver the light to installer. Do not pull or twist the light during the installation.

Notes

The selection of the cable specification at the output end of the power supply, it depends on the total current of the load and the length of the cable. It is recommended to select according to the following table:

| Current of the light | Specifications of the cable | | | | | | | | |
|----------------------|-----------------------------|-------|-------|-------|-------|-------|-------|-------|-------|
| | L=1M | L=2M | L=4M | L=6M | L=8M | L=10M | L=12M | L=14M | L=16M |
| 1A | AWG26 | AWG23 | AWG21 | AWG18 | AWG18 | AWG17 | AWG16 | AWG15 | AWG15 |
| 2A | AWG23 | AWG21 | AWG18 | AWG16 | AWG15 | AWG14 | AWG13 | AWG12 | AWG12 |
| 3A | AWG22 | AWG18 | AWG16 | AWG14 | AWG13 | AWG12 | AWG11 | AWG11 | AWG10 |
| 4A | AWG21 | AWG18 | AWG15 | AWG13 | AWG12 | AWG11 | AWG10 | AWG9 | AWG9 |
| 5A | AWG20 | AWG17 | AWG14 | AWG12 | AWG11 | AWG10 | AWG9 | AWG9 | AWG8 |
| 6A | AWG18 | AWG16 | AWG13 | AWG11 | AWG10 | AWG9 | AWG8 | AWG8 | AWG7 |
| 7A | AWG18 | AWG15 | AWG12 | AWG11 | AWG9 | AWG8 | AWG8 | AWG7 | AWG6 |
| 8A | AWG17 | AWG15 | AWG12 | AWG10 | AWG9 | AWG8 | AWG7 | AWG7 | AWG6 |
| 9A | AWG17 | AWG14 | AWG11 | AWG10 | AWG8 | AWG7 | AWG7 | AWG6 | AWG5 |
| 10A | AWG16 | AWG14 | AWG11 | AWG9 | AWG8 | AWG7 | AWG6 | AWG6 | AWG5 |

- ※ The unused light should be sealed with the packaging bag to avoid prolonged exposure.
- ※ Please use DC24V isolated constant voltage power supply with ripple voltage less than 5%. Using other types of power supply may damage the light or cause other safety risks.
- ※ In practical application, 20% allowance should be reserved for power supply to ensure the stability of power supply.
- ※ It is recommended that professionals connect the power supply. Do not connect the power supply with live power to avoid electric shock.
- ※ Please confirm whether the voltage of the power supply is consistent with the voltage of the light; Pay attention to the positive and negative poles of the power cord, do not connect wrong, so as not to cause product damage;
- ※ When multiple power supplies are used, ensure that the positive poles of the power supply are not connected in parallel. Otherwise, the power supply system may be unstable or damaged after long-term operation.
- ※ If the actual application length exceeds the specified length, it will lead to overload, heating and uneven brightness of the light.
- ※ During installation, please do not scratch, twist, or bend the light irregularly. Otherwise, the light may be damaged beyond repair.
- ※ To ensure the life and reliability of the light, please do not over bend the light, which will damage the product itself.
- ※ To protect your eyes, please avoid staring at the glowing surface of the light for a long time.
- ※ Non-professionals are forbidden to install, disassemble and maintain the product.
- ※ Do not use any acid or alkaline adhesive to fix the light (including but not limited to glass glue, etc.)
- ※ IP68 products are only customized by the factory. After cutting and processing by users themselves, there is a risk that IP68 protection level cannot be reached
- ※ Because of the difference in structure, even if the same color temperature value, different sizes of light will look slightly different colors. Please confirm it before use.

Tests showed that methanol and benzenes will have yellowing effects on silicone. In the newly decorated interior environment, epoxy floor paint, wall paint, wallpaper adhesive, various decoration materials or new furniture, they are likely to release of methanol and benzenes. It is recommended to remove methanol and benzenes first, or ventilate for a period of time in the newly decorated interior environment before install the silicone neon light, to avoid affecting the silicone body.